

**REF**

56-303  
56-303-AUS  
56-303-B/0-PU-TKN\_R-UK  
56-303-B/0-FKHW\_R  
56-303-B/0-FKHW\_R-PS-PU  
56-303-B/0-FKHW\_R-PU  
56-303-BR/0-FKNW\_R  
56-303-B/0-FKNW\_R-PU  
56-303-B/0-PU  
56-303-BR/0-TKN\_R  
56-303-B/1  
56-303-B/1-PU  
56-303-FKHW\_R-PLUS  
56-303-FKNW\_R  
56-303-FKNW\_R-US  
56-303/75  
56-303/75-B/0  
56-303/75-B/0-FKNW\_R-PLUS  
56-303/75-B/0-FKNW\_R-PU  
56-303/75-B/0-PU  
56-303/75-FKNW\_R  
56-303/75-UK  
56-303/75-PLUS-PU  
56-303/75-PLUS-PU-UK  
56-303/75-PU  
56-303/75-PU-UK  
56-303/75-TKN\_R  
56-303/100  
56-303/100-PU  
56-303-PLUS  
56-303-PLUS-PU  
56-303-PU  
56-303-PU-AUS  
56-303-UK  
56-303-TKN\_R  
56-303L-AUS  
56-303L-UK  
56-303L/75-PU  
56-303L/75-PU-UK

# Bure Double 2.0

User Manual

Technical Manual

Service Manual



**SWL: 150 kg/ 330 lbs**

# Bure Double 2.0

The Bure Double 2.0 is equipped with twin electric drives for raising and lowering the Walker and widening the walking frame. The new version has a significantly lower height above the walking frame for better access and a higher user weight (150 kg) compared to the earlier version.

## Contents

1. Intended Use	03
2. Contraindications, Precautions and Warnings	03
3. Raising/Lowering the Frame	04
4. Adjusting the Handles	04
5. Left and right Adjustment of Armrests	04
6. Locking Castors/Unlocking Castors	04
7. Control Box Wiring	05
8. Battery Charging	05
9. LED on Control Box and Battery	05
10. Maintenance	06
11. General Maintenance Advice & Cleaning	07
12. Technical Specifications	07
13. Recycling/Disposal	08
14. Warranty	08
15. Electrical System - Technical Data (T-motion/Linak)	09
16. Remote Control Plus	09
17. Parts List	10
18. Accessories	10
19. Table of Symbols	12

## 1. Intended Use

Walkers are indoor, movable and portable assistive aids, which together with approved accessories are intended to be used for transfer from sitting to standing positions, and walking training. Walkers are to be used by persons with reduced muscular strength, who shall be able to stand and perform simple leg movements. Walkers are to be used for leaning on when walking and standing during early mobilization training. Walkers and accessories are intended for indoor use only in Home Healthcare environment and Professional Healthcare facility environment.

## 2. Contraindications, Precautions and Warnings

### Contraindications

- The device may not be used by patients above the maximum weight indicated on the label of the device.

### Precautions

- Check that the device is used on a dry and flat surface.
- Check the device is correctly mounted/assembled before its first use.
- Check the device after every folding/disassembly after any transport.
- Check height adjustment and leg spreading motions and inspect the actuators' or gas pistons' full ranges.
- Activate the brakes whenever the device is not in use.
- Check the function of the brakes before use.
- Inspect the device regularly to detect any signs of damage. If there are any visible signs of damage, contact Direct Healthcare Group Customer Service.
- In case of an electrical model of the device, check that the hand control does not show signs of wear before every use.
- Check that the hand control markings are in accordance with the lifting functions.
- Check the battery status of an electrically operated model, before using the device.
- It is important to never leave the user alone during the transfer.
- Warranty applies only if repairs or alterations are made by personnel who are authorized by Direct Healthcare Group.
- Ensure that there are no obstacles or people in the way of the device, when moving.
- Handle batteries with care. Do not drop.
- Use only batteries and cables that are intended for the device as instructed by the manufacturer.
- Verify that potential accessories that might be used are properly attached to the device before use.
- Low speed is recommended when moving with the device.
- Take care not to drive the device over thresholds with high speed or force. Approach the threshold with lower speed and communicate the coming threshold to the user.
- Keep the instructions for use together with the product so that it can be used as a reference if necessary.

## Warnings

- The caregiver must be able to read and understand the Manual/IFU of the product.
- It is important to only use approved accessories as stated in the manual/IFU to prevent unintended detachment of components and subsequently a fall that may lead to patient injury.
- Use careful and gentle maneuvers when moving the device.
- Perform maintenance/service of the device, according to the instructions in the manual/IFU, at least once every 12 months.
- Accessories must be properly attached. They should be tested in relation to the user's needs and functional ability.
- Special care must be taken when using strong electrical power sources such as diathermy and the like so that diathermy cables are not placed on or near the device. In case of doubt consult with a Direct Healthcare Group representative.
- When lifting the device, only use the denoted handholds. At least two people are required for lifting the device
- Do not leave a user or patient unattended when the device is being used.
- Never move the lift by pulling on the actuator or gas piston.
- The device must not be lowered into water.
- The device must not be left or stored in a damp or humid environment.
- The device must not be cleaned using steam.
- The device must not be charged in a wet room.
- The device must not be used outdoors, only indoors.



## 3. Raising/Lowering the Frame

Preferred height; adjust using <UP> arrow or <DOWN> arrow.  
Adjust bottom frame using <WIDER> arrow or <NARROWER> arrow.



## 4. Adjusting the Handles

To adjust handles to the desired position; loosen screw, adjust handle, tighten screw.

## 5. Left and Right Adjustment of Armrests

The handles are adjusted to the desired position by: Loosening the knob of the handles adjustable locks.



## 6. Locking Castors/Unlocking Castors

Bure Double is fitted with braked casters with directional locking (green pedal). Depress the foot brake to set it and lock the castor. To unlock, press down on the protruding part of the brake. Locking affects rolling and swiveling.



## 7. Control Box Wiring

Remove the control box cover to make the connections as described below. Use a screwdriver or similar; refer to the special labels on the control box.

### T-motion:

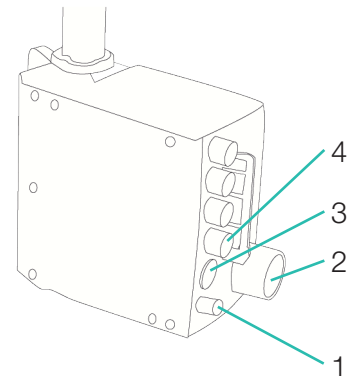
NOTE: Make sure plugs are connected to the correct sockets otherwise the actuators can be damaged.

1. Socket for the height adjustment actuator.
2. Socket for the width adjustment actuator.
3. Remote control socket.
4. Battery terminal socket.
5. Plug socket (NOTE: Plugs must ALWAYS be connected to the control box for IP classification to be valid).



### Linak:

1. Battery terminal socket
  2. Plug socket
- (NOTE: Plugs must always be connected to the control box for IP classification to be valid.)
3. Remote control socket
  4. Socket for the raise/lower actuator



## 8. Battery Charging

- Connect plug to 230V wall socket. Charging begins automatically and the battery LED flashes green.
- Make sure the battery is fully charged before using for the first time. It takes around 25 h to fully charge the battery.
- We recommend that the battery plug be removed from the control box if the product will be out of use for an extended period (more than one week) or if the battery is switched off by means of the ON/OFF switch. This eliminates the risk of disabling the battery as the control box always uses a small quantity of electricity even when the Walker is not in use.

## 9. LED on Control Box and Battery

Control box – green light when power is available from battery/mains socket.

Battery:

- The LED flashes green during charging.
- ON/OFF: To use the product, press ON.
- The green lamp will begin to flash.
- Use the OFF button (hold down for 5 s) to switch off the battery if the product will not be used for an extended period.
- The LED will show a constant green light when the battery is fully charged.
- When the battery is in normal state/in operation, the LED flashes green at REGULAR intervals, namely 0.5 s ON, 4 s OFF.
- When the battery requires charging (remaining charge <25%) the LED will flash orange/red at REGULAR intervals, namely 0.5 s ON, 4 s OFF.



NOTE: The battery has an in-built device that automatically switches it off when remaining charge is <20%. The LED is then extinguished. The battery must now be fully charged before the electronics can be used again.

## 10. Maintenance

Recommended at least once per year.

Check that	Action
<p><b>General</b>            The Walker feels firm/does not feel loose.            The Walker does not rattle during manoeuvres.            The Walker is level and all of its castors are in contact with the floor.            The Walker is not dirty.</p>	<p>Clean with lukewarm soap solution or alcohol-based cleaning agent (no petroleum products).</p>
<p><b>Arm rests</b>            Arm rests are intact and clean.            Arm rest widening is functional.</p>	<p>Clean; replace if damaged.            Replace lock knob.</p>
<p><b>Handle</b>            Grips are not damaged/dirty.            Handle adjustment is functional.</p>	<p>Clean with lukewarm soap solution (no petroleum products).            Replace handle grips.            Fit lock knobs/plates as required.</p>
<p><b>Battery</b>            Check that the charging cable is connected to the control box.            Check that the remote control is connected to the control box.            Connect or fit new remote control as required.            Check that the battery, actuators and control box are not loose.</p>	<p>Fit new cable; this must always be connected to the control box (IP65 classification).            Connect; replace with new remote control as required.              Refer to the wiring diagram in the Technical manual.              Tighten; replace with new fasteners as required.</p>
<p><b>Height/width adjustment</b>            Raising and lowering are functional.            The Walker feels stable at maximum settings.            There is no looseness between the vertical frame and bottom frame.            Height adjustment clamps lock.            The electric actuator must not feel loose.            Height adjustment via remote control is functional. The electric actuator must run smoothly at a constant speed.</p>	<p>Fit new guide sleeves (in frame) or end plugs (in chrome tubes) as required.            The technical manual shows the design and which fasteners must be checked. Contact the distributor if the parts cannot be tightened.            Replace clamps.            Tighten the attachment fitting concerned; replace bolts/lock nuts as necessary.            Check that the battery/remote control/actuator are connected in accordance with the wiring diagram.            Charge the battery. Contact customer services.</p>
<p><b>Frame parts</b>            There is no mechanical damage.            There are no scratches.            End plugs/lower frame fitted.</p>	<p>If damage is present, contact GATE's customer services.            Touch up as necessary.            Fit new end plugs.</p>
<p><b>Castors/brakes</b>            Castors roll easily/tread not damaged.              The castors are tightly fastened to the lower frame.              Castor brakes functional on all castors.              Handbrake functional.</p>	<p>Clean or replace castors (NOTE: Castors are always fixed to the lower frame with thread locker or lock nuts. The castors are sealed and we do not recommend their dismantling; instead, replace the whole castor assembly).                Tighten the castor bolt and fit locking nut or use thread locker (depends on model).              Replace castor assembly.              Adjust the brake or fit new castors.</p>

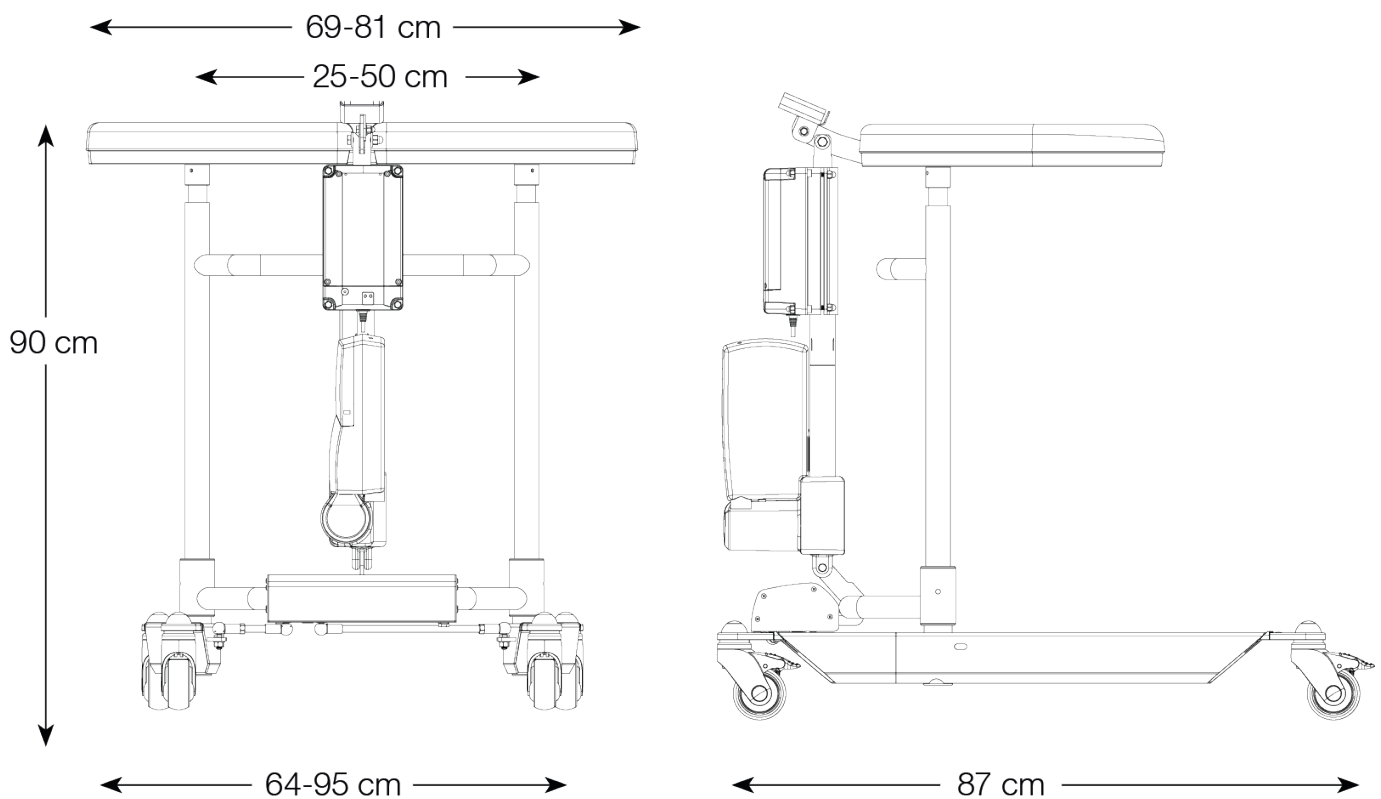
## 11. General Maintenance Advice & Cleaning

- Clean the Walker and its armrests clean as necessary - Wipe using a soap solution/surface disinfectant.
- The product may be cleaned in a tunnel washer or similar as electrical systems have IP65 protection. However, the product is not corrosion proof which means washing by machine may reduce its lifetime.
- Replace damaged parts immediately; must be done by experienced personnel.
- The product is only intended for indoor use.

## 12. Technical Specifications

Dimensions apply to Walkers with 125 mm castors

Part No.	Width	Max user weight	Length	Height	Weight	Armrest/Internal dimension
56-303	64-95cm	150kg	87cm	90-130cm	40kg	25-50cm



### 13. Recycling/Disposal

When the product is no longer usable it should be recycled in accordance with legislation and regulations in the country concerned. All electrical parts including batteries must be removed and recycled as electrical components. (Ask your local recycling station for further information about how the different materials in the product (metals, plastics, electronics) should be recycled).

### 14. Warranty

We provide two years' warranty for manufacturing faults (does not apply to wear parts).  
For further information or enquiries please contact:

Direct Healthcare Group Sverige AB  
Torshamnsgatan 35,  
SE-164 40 Kista, Sweden

Tel: +46 (0)8-557 62 200  
info.se@directhealthcaregroup.com  
www.directhealthcaregroup.com



## 15. Electrical System - Technical Data (T-motion/Linak)

Actuator	Lift	Widening	Lift	Widening
Producer	TiMotion	TiMotion	Linak	Linak
Voltage	12V	24V	24 V	24 V
Push	2000N/1500N	1000N	1000N/1500N/2000N	1200 N
Pull	2000N/1500N	1000N	1000N/1500N/2000N	1200 N
Self-locking push	1000N	1000N	7A	3 A
Current	6.6 (+/-1,0)A	2.6 (+/-0,4)A	7A ut/7 A in	3A ut/3 A in
Colour	Black	Aluminium	White	White
Stroke	400mm	55mm	400 mm	55 mm
Mounting dim	605mm	167mm	606+/-2 mm	165 +/- 2 mm
Encapsulation	IP66	IP66	IPX6	IPX6

IEC60601-1 3rd revision

### Control box + Battery

Producer	T-Motion	Linak
Voltage	24V	230V/24V
Capacity	2.0AH	2,25 Ah
Encapsulation	IP66	IPX6
Colour	Black	White
Electrical safety	Class II	Class II (Dubbel insulated)

IEC60601-1 3rd revision

## 16. Remote Control Plus

\*\*1. Service indicator – flashes red after 11 months' operation.

Constant light (red) after 12 months' operation. The indicator is a reminder to review the maintenance instruction (see Instructions for Use/Technical Manual. This should be done at least once every 12 months.

Reset: hold down buttons <2a> + <2b> for at least 30 seconds.

\*\*The indicator will go out around 30 seconds after the remote control is activated (battery conservation function).



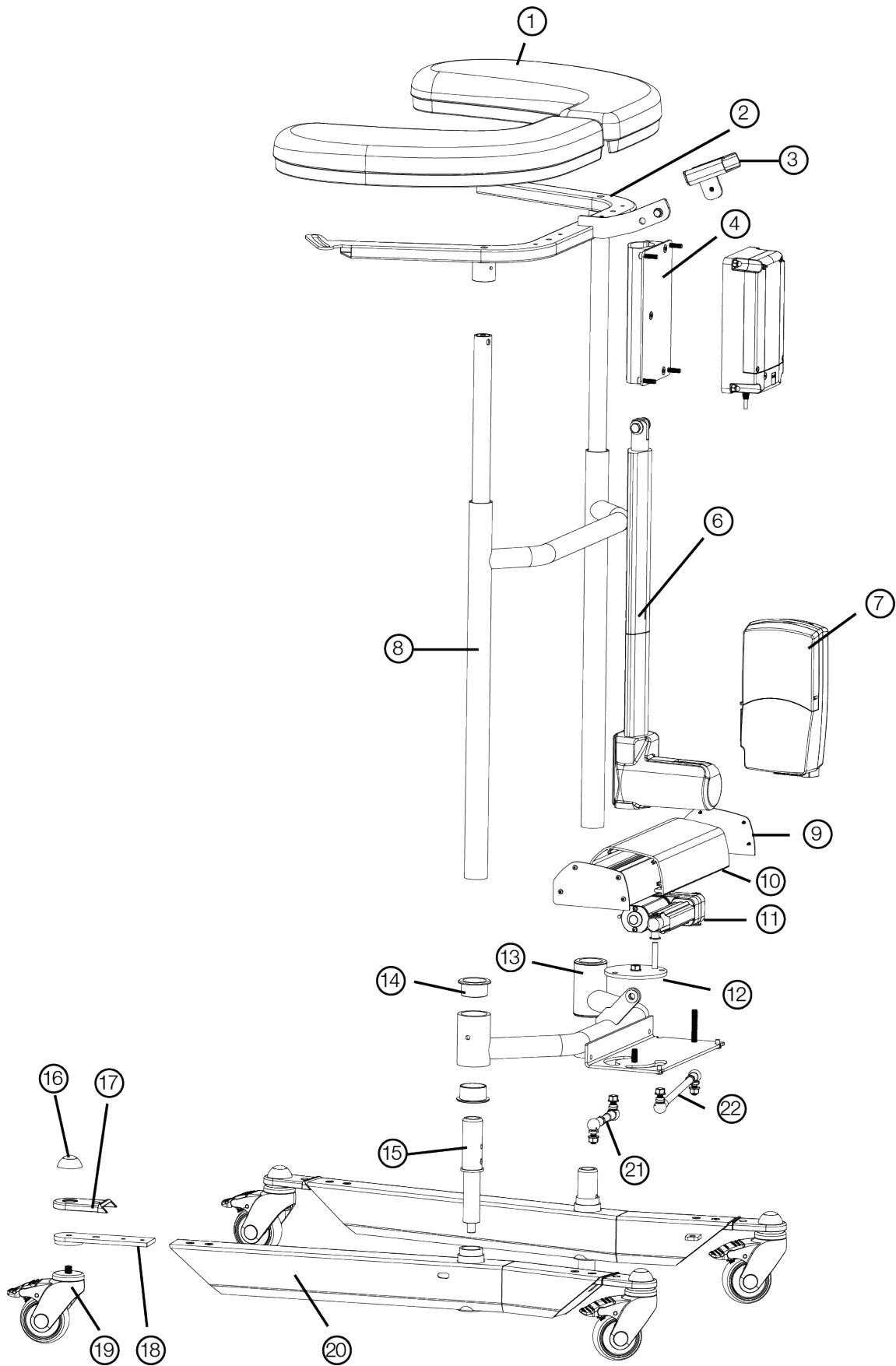
## 17. Parts List

<b>1</b>	57-306 57-305	Armrestpad left Armrestpad right	<b>12</b>	58-364	Circular plate
<b>2</b>	58-365	Frame/Armrest	<b>13</b>	58-352	Cross section
<b>3</b>	57-041-3	Holder, Remote control (TH7)	<b>14</b>	58-302	Bearing (x2) Cross section
<b>4</b>	57-369 57-370	Clamp/Battery (alu) Plate Clamp/Battery (alu)	<b>15</b>	58-353	Turn axle, beam
<b>5</b>	58-376	Battery, TiMotion	<b>16</b>	57-776 57-775	Cover, Wheel Washer, wheel
<b>6</b>	58-377	Actuator, TiMotion	<b>17</b>	58-360	Cover, Wheelplate (PA)
<b>7</b>	58-373 58-373-1	Controlbox 220V, TiMotion Controlbox 110V, TiMotion	<b>18</b>	58-354	Wheel mount beam
<b>8</b>	58-366 58-335	Vertical frame Telescopic Innertube incl. Bronzebearing	<b>19</b>	57-051 57-319 57-049	Wheel 75mm Wheel 100mm Wheel 125mm
<b>9</b>	58-358	Sideplate (2x) alu	<b>20</b>	58-379-L 58-379-R	Bottom beam, left Bottom beam, right
<b>10</b>	58-356	Aluprofile, widening	<b>21</b>		Linking arm, right
<b>11</b>	58-378	Actuator, widening	<b>22</b>		Linking arm, left












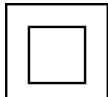

## 18. Accessories

Part No.	Description
	Manual brake, 2handles
	Manual brake, 1handle
56-333-DB	Standing plate, Short
56-383-DB	Standing plate, Long
56-334	Dripstand, Chromed
56-335	Holder for Dripstand
56-336	Oxygen tubeholder
56-337	Side support
56-338	Dripstand holder, Complete
56-387	Wheel w brake 75 mm
56-358	Wheel w brake 100 mm
56-361	Wheel w brake 125 mm
57-361-L	Armrestpad PUR left
57-361-R	Armrestpad PUR right
58-374-2	Remote Control (TH7)
56-062	Remote Control PLUS, DB (TH10)
58-320 (-1, -2, -3)	Cable/EUR (-UK, -US, -AUS)
58-326 (-1, -2, -3)	Coiled Cable/EUR (-UK, -US, -AUS)

BURE DOUBLE 2.0



## 19. Table of Symbols

	This product complies with the requirements of the Medical Device Regulation 2017/745		Visual Inspection
	Medical Device		Read the manual
	Caution		Product Code
	Manufacturer information		Batch Code
	Type BF, according to the degree of protection against electric shock		The device is intended for indoor use
	WEEE Symbol May not be discarded in domestic waste		Class II Equipment
	Duty Cycle: 2 min in active (ON) mode. 18 min in rest (OFF) mode.		

**CE** Medical Device Class I

Medical Device Class I. The product complies with the requirements of the Medical Devices Regulation 2017/745.

# Direct Healthcare Group

Advancing Movement & Health®

Direct Healthcare Group Sverige AB  
Torshamnsgatan 35,  
SE-164 40 Kista, Sweden

Tel: +46 (0)8-557 62 200  
info@directhealthcaregroup.com  
www.directhealthcaregroup.com