

**Direct Healthcare
Group**

Advancing Movement & Health®

Bure Double 2.0

Technical Manual



Bure Double 2.0

The new Bure Double is equipped with twin electric drives for raising and lowering the walker and widening the walking frame. The new version has a significantly lower height above the walking frame for better access and a higher user weight (150 kg) compared to the earlier version.

Contents

1. Replacement parts list	04
2. Accessories	04
3. Electrical system – Technical data	06
4. Remote Control Plus	06
5. Control box wiring	07
6. Battery charging	07
7. LED on controlbox and battery	07
8. Maintenance	08
9. General safety/maintenance advice	09
10. ID label	09
11. Recycling/Scrapping	09
12. Warranty	09
13. Technical specifications	10

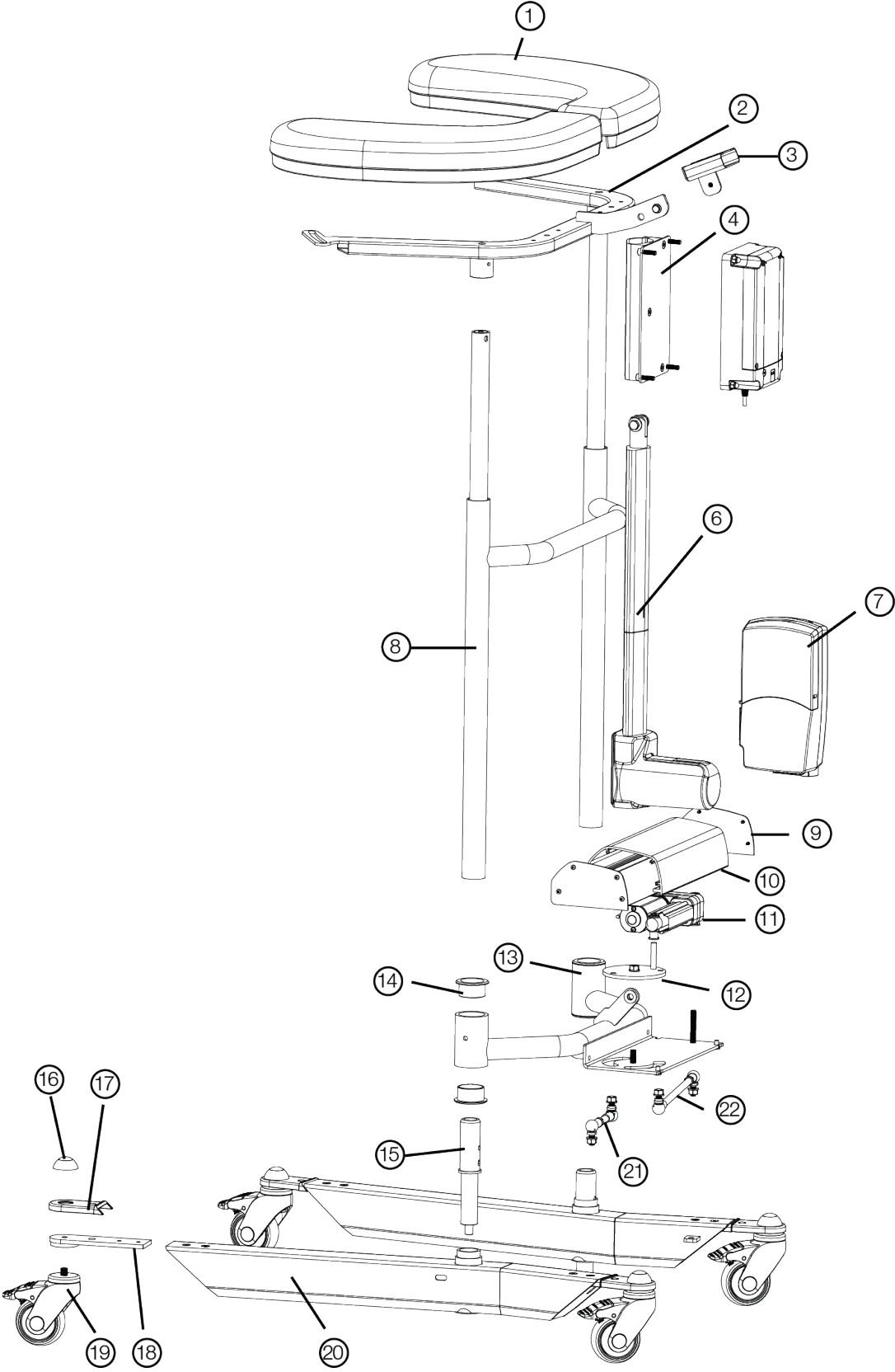
1. Replacement parts list

1	57-306	Armrestpad left	12	58-364	Circular plate
	57-305	Armrestpad right			
2	58-365	Frame/Armrest	13	58-352	Cross section
3	57-041-3	Holder, Remote control (TH7)	14	58-302	Bearing (x2) Cross section
4	57-369	Clamp/Battery (alu)	15	58-353	Turn axle, beam
	57-370	Plate Clamp/Battery (alu)			
5	58-376	Battery, TiMotion	16	57-776	Cover, Wheel
				57-775	Washer, wheel
6	58-377	Actuator, TiMotion	17	58-360	Cover, Wheelplate (PA)
7	58-373	Controlbox 220V, TiMotion	18	58-354	Wheel mount beam
	58-373-1	Controlbox 110V, TiMotion			
8	58-366	Vertical frame	19	57-051	Wheel 75mm
	58-335	Telescopic Innertube incl. Bronzebearing		57-319	Wheel 100mm
				57-049	Wheel 125mm
9	58-358	Sideplate (2x) alu	20	58-379-L	Bottom beam, left
				58-379-R	Bottom beam, right
10	58-356	Aluprofile, widening	21		Linking arm, right
11	58-378	Actuator, widening	22		Linking arm, left

2. Accessories

Art. Nr.	Benämning
	Manual brake, 2handles
	Manual brake, 1handle
56-333-DB	Standing plate, Short
56-383-DB	Standing plate, Long
56-334	Dripstand, Chromed
56-335	Holder for Dripstand
56-336	Oxygen tubeholder
56-337	Side support
56-338	Dripstand holder, Complete
56-387	Wheel w brake 75 mm
56-358	Wheel w brake 100 mm
56-361	Wheel w brake 125 mm
57-361-L	Armrestpad PUR left
57-361-R	Armrestpad PUR right
58-374-2	Remote Control (TH7)
56-062	Remote Control PLUS, DB (TH10)
58-320 (-1, -2, -3)	Cable/EUR (-UK, -US, -AUS)
58-326 (-1, -2, -3)	Coiled Cable/EUR (-UK, -US, -AUS)

TECHNICAL MANUAL



3. Electrical system - technical data

Actuator	Lift	Widening
Producer	T-Motion	T-Motion
Voltage	24V	24V
Push	2000N	1000N
Pull	2000N	1000N
Self-locking push	1000N	1000N
Current	4.6A	2.8A
Colour	Svart/Black	Svart/Black
Stroke	400mm	55mm
Mounting dim	605mm	167mm
Encapsulation	IP66	IP66
IEC60601-1 3rd revision		

Controlbox + Battery

Producer	T-Motion
Voltage	24V
Capacity	2.0AH
Encapsulation	IP66
Colour	Svart
Electrical safety	Class II (Dubbelisolering/Doubleinsulation)
IEC60601-1 3rd revision	

4. Remote Control Plus

**1. Service indicator – flashes red after 11 months' operation.

Constant light (red) after 12 months' operation. The indicator is a reminder to review the maintenance instruction (see Instructions for Use/Technical Manual. This should be done at least once every 12 months.

Reset: hold down buttons <2a> + <2b> for at least 30 seconds.

**The indicator will go out around 30 seconds after the remote control is activated (battery conservation function).



5. Control box wiring

Remove the control box cover to make the connections as described below. Use a screwdriver or similar; refer to the special labels on the control box.

NOTE: Make sure that plugs are connected to the correct sockets otherwise the actuators can be damaged.

1. Socket for the height adjustment actuator.
2. Socket for the width adjustment actuator.
3. Remote control socket.
4. Battery terminal socket.
5. Plug socket (NOTE: Plugs must ALWAYS be connected to the control box for IP classification to be valid).



6. Battery charging

- Connect plug to 230V wall socket. Charging begins automatically and the battery LED flashes green.
- Make sure the battery is fully charged before using for the first time. It takes around 25 h to fully charge the battery.
- We recommend that the battery plug be removed from the control box if the product will be out of use for an extended period (more than one week) or if the battery is switched off by means of the ON/OFF switch. This eliminates the risk of disabling the battery as the control box always uses a small quantity of electricity even when the walker is not in use.

7. LED on controlbox and battery

- Control box – green light when power is available from battery/mains socket.

Battery:

- The LED flashes green during charging.
- ON/OFF: To use the product, press ON.
- The green lamp will begin to flash.
- Use the OFF button (hold down for 5 s) to switch off the battery if the product will not be used for an extended period.
- The LED will shows a constant green light when the battery is fully charged.
- When the battery is in normal state/in operation, the LED flashes green at REGULAR intervals, namely 0.5 s ON, 4 s OFF.
- When the battery requires charging (remaining charge <25%) the LED will flash orange/red at REGULAR intervals, namely 0.5 s ON, 4 s OFF.



NOTE: The battery has an in-built device that automatically switches it off when remaining charge is <20%. The LED is then extinguished. The battery must now be fully charged before the electronics can be used again.

8. Maintenance

Recommended at least once per year.

Check that

General

The walker feels firm/does not feel loose.
The walker does not rattle during manoeuvres.
The walker is level and all of its castors are in contact with the floor.
The walker is not dirty.

Action

Clean with lukewarm soap solution or alcohol-based cleaning agent (no petroleum products).

Arm rests

Arm rests are intact and clean.
Arm rest widening is functional.

Clean; replace if damaged.
Replace lock knob.

Handle

Grips are not damaged/dirty.
Handle adjustment is functional.

Clean with lukewarm soap solution (no petroleum products).
Replace handle grips.
Fit lock knobs/plates as required.

Battery

Check that the charging cable is connected to the control box.
Check that the remote control is connected to the control box.
Connect or fit new remote control as required.
Check that the battery, actuators and control box are not loose.

Fit new cable; this must always be connected to the control box (IP65 classification).
Connect; replace with new remote control as required.
Refer to the wiring diagram in the Technical manual.
Tighten; replace with new fasteners as required

Height/width adjustment

Raising and lowering are functional.
The walker feels stable at maximum settings.
There is no looseness between the vertical frame and bottom frame.
Height adjustment clamps lock.
The electric actuator must not feel loose.
Height adjustment via remote control is functional.
The electric actuator must run smoothly at a constant speed.

Fit new guide sleeves (in frame) or end plugs (in chrome tubes) as required.
The technical manual shows the design and which fasteners must be checked. Contact the distributor if the parts cannot be tightened.
Replace clamps.
Tighten the attachment fitting concerned; replace bolts/lock nuts as necessary.
Check that the battery/remote control/actuator are connected in accordance with the wiring diagram.
Charge the battery. Contact customer services.

Frame parts

There is no mechanical damage.
There are no scratches.
End plugs/lower frame fitted.

If damage is present, contact GATE's customer services. Touch up as necessary.
Fit new end plugs.

Castors/brakes

Castors roll easily/tread not damaged.
The castors are tightly fastened to the lower frame.
Castor brakes functional on all castors.
Handbrake functional.

Clean or replace castors (NOTE! Castors are always fixed to the lower frame with thread locker or lock nuts. The castors are sealed and we do not recommend their dismantling; instead, replace the whole castor assembly).
Tighten the castor bolt and fit locking nut or use thread locker (depends on model). Replace castor assembly. Adjust the brake or fit new castors.

9. General safety/maintenance advice

The Bure Walker may only be used:

- As a WALKING AID / STAND-UP AID
- INDOORS on HARD, LEVEL surfaces.

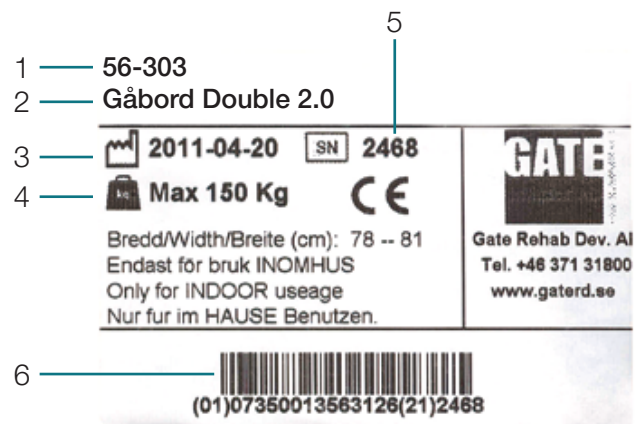
Before use, always check that:

- The product feels firm, secure and stable
- Harnesses, belts and attachments are intact and undamaged

Wipe the walker and its armrests clean as necessary; use soap solution/surface disinfectant. Be aware of battery charge status (LED) – charge as necessary.

10. ID label

1. Part number
2. Product name
3. Date of manufacture
4. Max user weight
5. Serial number
6. EAN code



11. Recycling/Scrapping

When the product is no longer usable it should be recycled in accordance with legislation and regulations in the country concerned. All electrical parts including batteries must be removed and recycled as electrical components. (Ask your local recycling station for further information about how the different materials in the product (metals, plastics, electronics) should be recycled).

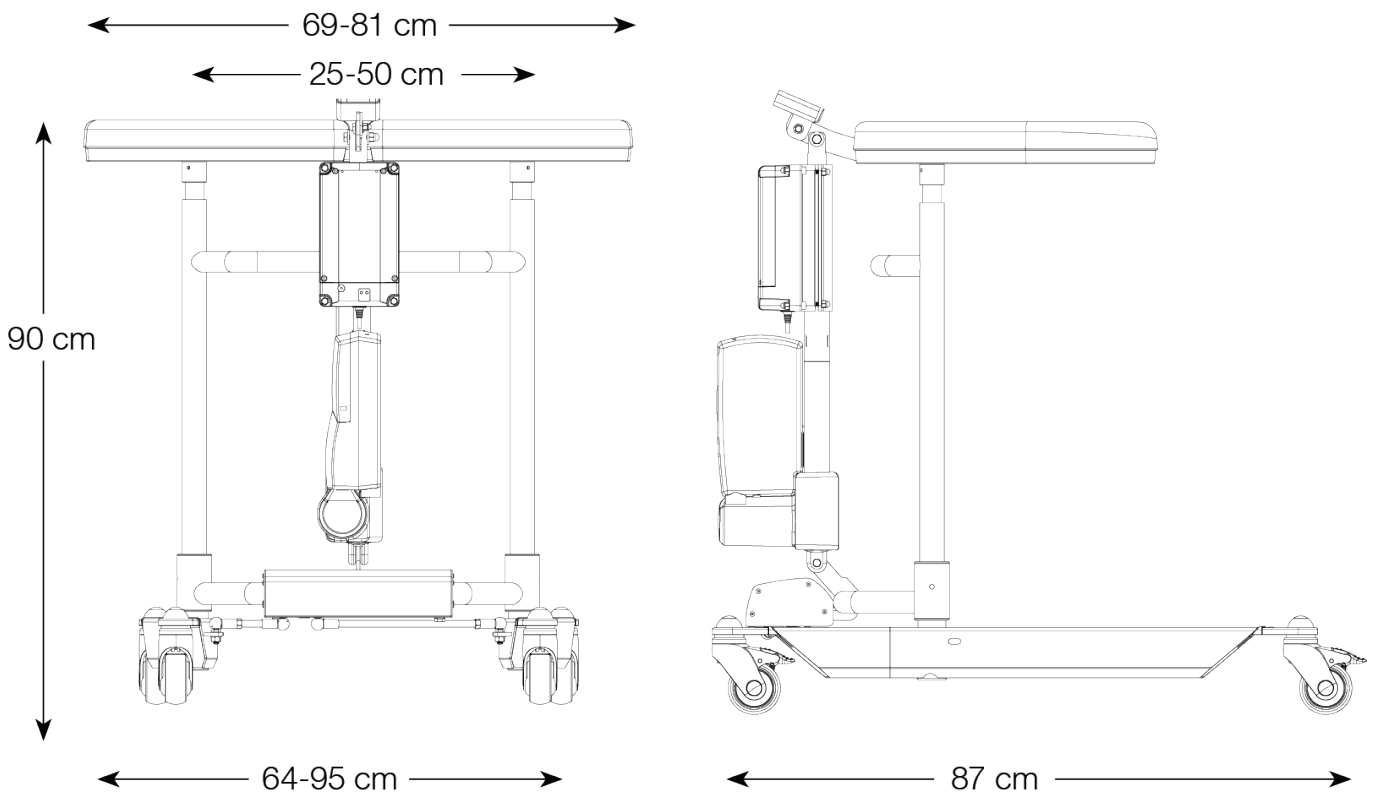
12. Warranty

We provide two years' warranty for manufacturing faults (does not apply to wear parts).

13. Technical specifications

Dimensions apply to walkers with 125 mm castors.

Part no.	Product width	Max user weight	Length	Height	Weight	Armrest/Internal dimension
56-303	64-95cm	150kg	87cm	90-130cm	40kg	25-50cm



Direct Healthcare Group

Advancing Movement & Health®

Direct Healthcare Group
Withey Court, Western Industrial Estate
Caerphilly
CF83 1BF

T: 0800 043 0881
F: 0845 459 9832
E: info@directhealthcaregroup.com

LIT-00132 Issue 1
Date: January 2020

DIRECTHEALTHCAREGROUP.COM