



A DIRECT HEALTHCARE GROUP COMPANY

Bure XL

User Manual



BURE XL

Bure XL

Bure XL was designed for the bigger, heavier patient and therefore provides extra space and strength. Because extra powerful aids are required in the care and nursing of heavier patients, Bure XL is always supplied with electric drives.

Contents

1. Raising and lowering the frame	04
2. Adjusting the handles	04
3. Left and right adjustment of armrests	04
4. Locking/unlocking castors	04
5. Control box wiring	04
6. Battery charging	04
7. Maintenance	05
8. General maintenance advice	06
9. Technical specifications	06

1. Höjning och sänkning av stativ

Adjust the height with the aid of the remote control UP and DOWN arrows.



2. Adjusting the handles

To adjust handles to the desired position; loosen screw, adjust handle, tighten screw.

3. Left and right adjustment of armrests

The armrests can be adjusted sideways for optimal support; loosen screw, adjust armrest, tighten screw.



4. Locking/unlocking castors

Depress the foot brake to set it and lock the castor.

Press down on the protruding part of the brake to release it.



5. Control box wiring


NOTE! Make sure that plugs are connected to the correct sockets otherwise the actuators can be damaged.

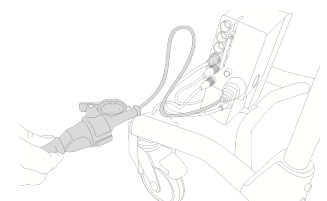
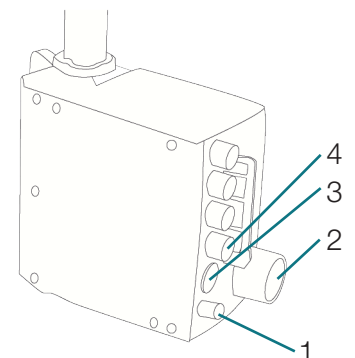
1. Battery terminal socket.
2. Plug socket. NOTE: The plug must ALWAYS be connected to the control box for IP protection to be valid.
3. Remote control socket.
4. Socket for the raise/lower actuator.



6. Battery charging

Battery charging must take place when the walker is not in use (the battery can never be overcharged). Charging is carried out by inserting the plug in a wall socket.

 The battery should be charged at least 24 hours before first time use.



7. Maintenance

Recommended at least once per year.

Check that	Action
<p>General</p> <p>The walker feels firm/free from play. The walker does not rattle during manoeuvres. The walker is level and all of its castors are in contact with the floor. The walker is not dirty.</p>	<p>Clean with lukewarm soap solution or alcohol-based cleaning agent (no petroleum products).</p>
<p>Armrests</p> <p>Armrests are intact and clean. Armrest widening is functional.</p>	<p>Clean; replace if damaged. Fit lock screws/plates as required</p>
<p>Handle</p> <p>Grips are not damaged/dirty. Handle adjustment is functional.</p>	<p>Clean with lukewarm soap solution (no petroleum products). Replace handle grips. Fit lock screws/plates as required.</p>
<p>Height adjustment</p> <p>Raising and lowering are functional. The walker feels stable at maximum settings. There is no play between the vertical frame and bottom frame. Height adjustment clamps lock. The electric actuator fitting must be free from play. Height adjustment via remote control is functional. The electric actuator must run smoothly at a constant speed.</p>	<p>Fit new guide sleeves (in frame) or end plugs (in chrome tubes) as required. Tighten all lock bolts. Replace clamps. Tighten the attachment fitting concerned; replace bolts/lock nuts as necessary. Check that the battery/remote control/actuator are connected in accordance with the wiring diagram. Charge the battery. Contact customer services.</p>
<p>Frame parts</p> <p>There is no mechanical damage. There are no scratches. End plugs/lower frame fitted.</p>	<p>If damage is present, contact GATE's customer services. Touch up as necessary. Fit new end plugs.</p>
<p>Castors/brakes</p> <p>Castors roll easily/tread not damaged. The castors are firmly fastened to the lower frame. Castor brakes functional on all castors. Handbrake functional.</p>	<p>Clean or replace castors. NOTE: Castors are always fixed to the lower frame with thread locker or lock nuts. Do not dismantle the castors; replace the whole castor assembly instead. Tighten the castor bolt and fit locking nut or use thread locker (depends on model). Replace castor assembly. Adjust the brake or fit new castors.</p>

8. General maintenance advice

- Clean the walker and its armrests clean as necessary. Wipe using a soap solution/surface disinfectant.
- The product may be cleaned in a tunnel washer or similar as electrical systems have IP65 protection. However, the product is not corrosion proof which means washing by machine may reduce its lifetime.
- Replace damaged parts immediately; must be done by experienced personnel.
- The product is only intended for indoor use.

9. Technical specifications

Dimensions apply to walkers with 125 mm castors.

Part No.	Product	Product width	Max user weight	Length	Height	Armrest/ Internal dimension
56-315	Bure XL EL	90cm	240kg	84cm	87-127cm	45-64cm



A DIRECT HEALTHCARE GROUP COMPANY

Gate Rehab Development AB
Industrigatan 2
Reftele, Sverige
S-330 21

T: 0371-318 00
F: 0371-318 01
E: info@gaterd.se

LIT-00077 Issue 1
Date: January 2020

GATERD.SE