

Eva400EE/EM Eva450EE/EM Eva600EE

SystemRoMedic™



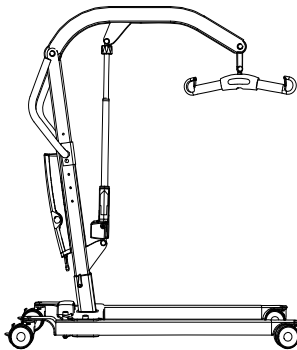
Service manual - English

SWL: 180 kg/400 lbs
205 kg/450 lbs
270 kg/600 lbs

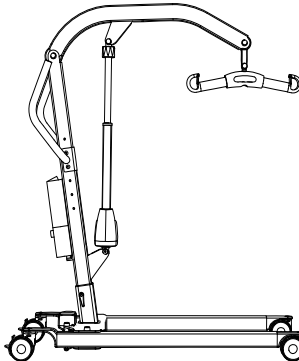
Eva400EE/Eva400EM - 60100001/60100011

Eva450EE/Eva450EM - 60100002/60100012

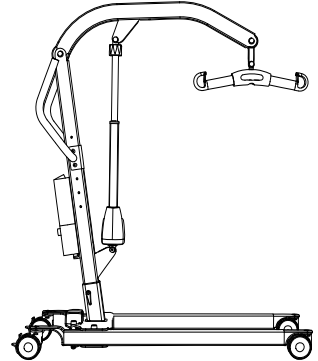
Eva600EE - 60100003



Eva400EE/EM



Eva450EE/EM



Eva600EE



Safety information

Visual inspection

Inspect lift functions regularly. Check to ensure that material is free from damage.

Before use

Make certain the lift is properly assembled.

Check sling bar connection and safety latch function.

Check lifting function and base-width adjustment.

Check to ensure that the quick-connecting locking pin for the actuator is correctly installed.



Always read the user manual

Always read the user manuals for all assistive devices used during a transfer.

Keep the user manual where it is accessible to users of the product.

Always make sure that you have the right version of the user manual.

The most recent editions of user manuals are available for downloading from our website, www.handicare.com.

Under no circumstances may the lift be used by persons who have not received instruction in the operation of the lift.

It is strongly prohibited to modify the original product.



Table of contents

Assembly

Final inspection	3
------------------------	---

Using the product

Important information	4
-----------------------------	---

Trouble-shooting	4
------------------------	---



<i>Additional safety information</i>	5-8
--	-----

Spare parts	9-12
-------------------	------

Exploded view	13-20
---------------------	-------

Periodic inspection - protocol	21-24
--------------------------------------	-------

Description of periodic inspection	22
--	----

Periodic inspection - instruction	23-24
---	-------

Maintenance	25
-------------------	----

Technical information	26-27
-----------------------------	-------

Dimensions	28-29
------------------	-------

Final inspection

Check to ensure that no parts have been left in the packaging.

Inspect the lift for signs of wear and damage.

Check all four castor wheels and castor wheel locks.

Check all connections and fixtures including screws and bolts.

Check the emergency stop function by depressing the emergency stop, and then pressing either the up or down button.

If nothing happens when the up or down

buttons are pressed, the emergency stop is functioning properly.

Grasp the handset, press the up button and run the lift arm all the way up. Then, press the down button and run the lift arm all the way down.

Test base-width adjustment function. Press the button for base-width adjustment to widen the base fully, and then press the other button to narrow the base again.

Test lift function by lifting a person (not a patient) using an approved sling. At the same time, check the emergency lowering function with someone on the lift. See section on Emergency lowering.

If the lift is functioning correctly, connect the charger and check to ensure that the charging lamp on the control box lights up.

NOTE!



Before the lift is used for the first time, it must be charged for at least 4 hours. See section on charging batteries.

Keep the manual where it is accessible to users of the product.

Using the product



Important Information

- The lift must be assembled according to the instructions provided by Handicare.
- The lift may only be used indoors and on a level floor.
- When lifting from the floor the rear wheels must always be locked to prevent the lift from rolling and colliding with the user. Otherwise, the wheels should not be locked, so that the lift can align itself with the user's centre of gravity.
- Lifting accessories must be properly fitted and tested in relation to the user's needs and functional ability.
- Do not leave the user unattended during a transfer situation. 
- Under no circumstances may max. load be exceeded. See section on Safe working load.
- Never move the lift by pulling on the actuator! 
- The lift must not be used or immersed in or under water including showering.
- The lift should not be left / stored in a high humidity environment.
- The lift must not be charged in a wet room.
- To ensure optimal function, the lift must be inspected regularly. See section on Maintenance.
- Warranty applies only if repairs or alterations are made to the product by personnel who are authorized by Handicare.
- Using lifting accessories other than those approved can entail a risk.
- Verify that all lifting accessories hang vertically and can move freely.

Trouble-shooting

If the lift or base-width adjustment cannot be activated, check the following:

- That the emergency stop button is not pressed in.
- That all cables are properly and securely connected. Pull out the contact and plug it in again firmly.
- That battery charging is not in progress.
- That the battery is charged.

If the lift is not working properly, contact your dealer.

If the lift makes unusual noises:

- Try to determine the source of the sound. Take the lift out of operation and contact your dealer.

Additional safety informaton



Eva Mobile Lifts – all models

If the Eva-lift is exposed to abnormal use in heavy load and/or many lifts, the lift can show signs of wear in the joint of the lift arm (see picture 2 and 3 below).

In case of continued use, cracks may occur in the lift arm.

Due to the risk of wear occurring, users are therefore requested to follow the instructions in this letter.

Relevant Competent Authority has been contacted.

Affected devices

All Eva Mobile Lift models:

Affected Article Numbers	Device Name
60100001	Eva400EE
60100001BC	Eva400BC
60100002	Eva450EE
60100003	Eva600EE
60100006	Eva450EEL
60100006J	Eva450EE
60100007	Eva450EML
60100009	Eva450EE
60100010	Eva600EE
60100011	Eva400EM
60100012	Eva450EM
60100013J	Eva450EM

Action to be taken by our customers

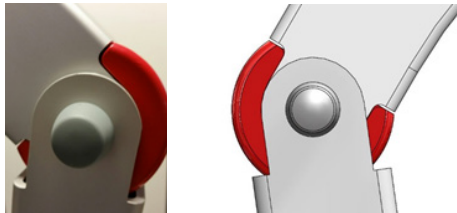
1. Localise all Eva Lifts.
2. Inspect the lifts in order to identify gaps and/or cracks according to the description below.
3. Report all localized and inspected lifts to the local Handicare sales representative and to Handicare AB within 4 weeks.

Inspection of lift arm on Eva Lifts

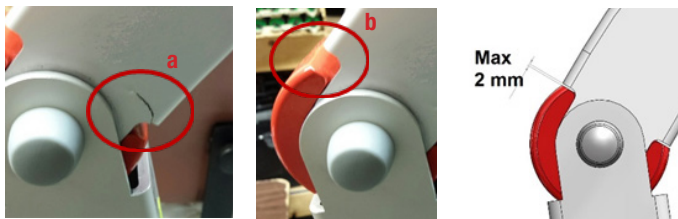
Load the lift arm with a minimum of 5 kg.

- A. Check if there are cracks according to picture 2 mark a.
- B. Check if the gap between red part and lift arm is greater than 2 mm according to picture 2 mark b.
- C. Check if the joint bolt cover is dislocated from the centre of the mast end annulus, as shown below in picture 3. The distance between the cover and the edge of the annulus must be a minimum of 10 mm.

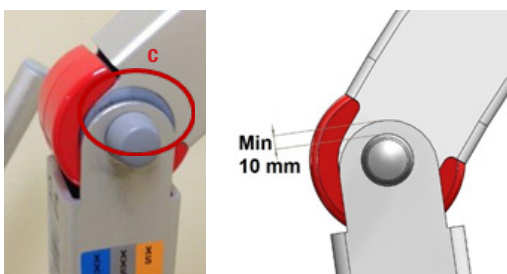
If signs of wear are detected as specified above, the lift must be immediately removed from service. Take a photograph of the area affected as well as the lift's serial number sticker, and report back as specified below.



Picture 1 A fully functional joint displaying the correct gap between the lift arm and the red part, with the joint bolt cover correctly centred.



Picture 2 Formation of cracks (mark a) and a large gap between the lift arm and the red part (mark b).



Picture 3 Joint bolt cover dislocated from the centre of the mast end annulus (mark c).

Reporting back

The results of these checks are to be reported at the email address of your local Handicare sales representative. Make sure to enter "C026" in the subject field.

Your answer must contain:

1. Your company / facility name address, country & full lead contact details.
2. The serial number(s) of all lifts inspected.
3. Photographs showing the areas of wear and serial number stickers for the lifts affected. The pictures must be clearly labelled, specifying the serial numbers to which the damage refers.

Action required

Lifts showing evidence of wear in accordance with cases A, B or C, specified above, must be immediately removed from service. We will assess your response and in cases where lifts show evidence of wear, we will report back as soon as possible with a suggested plan of action.

Lifts which do not show evidence of wear may be used as normal, but are subject to annual inspection in accordance with the service manual and this letter.

The additional instructions for inspection outlined in this letter will be incorporated into new editions of the service manual. An assembly instruction will follow the delivery of the new mast and lift arm kit.

Extended commitment

This extended commitment is based on abnormally extensive use of the lift:

All Eva lifts that show wear according to above specification: New mast and lift arm will be delivered free of charge including freight cost.

If the machine is an Eva 600 model: A new replacement kit with Mast and Boom will be sent free of charge to the customer. No matter if the machine is damaged or not.

Eva Mast and lift arm kit article numbers

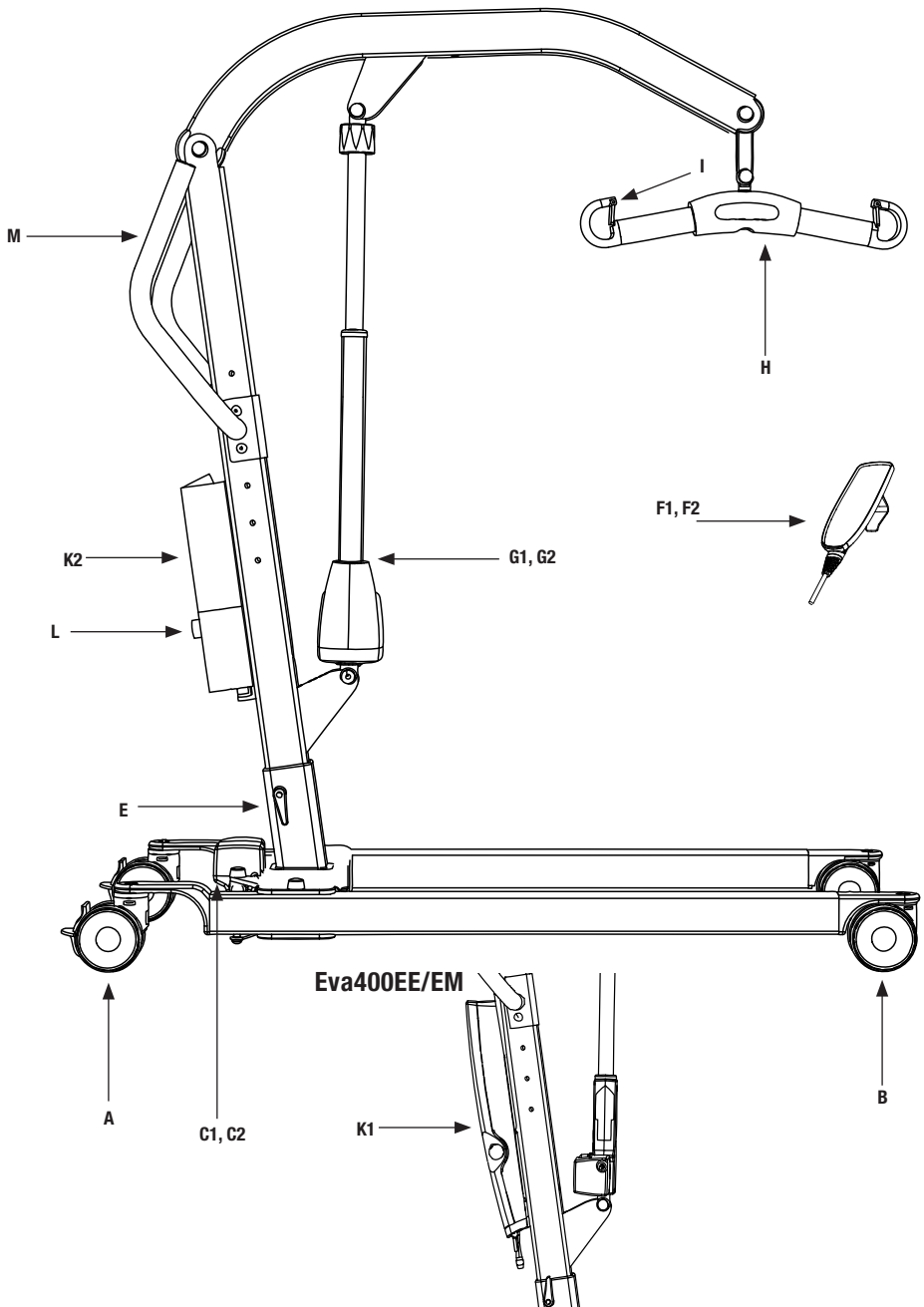
The following mast and lift arm kit part numbers are required for the field upgrade of the affected Eva lifts:

Article Number:	Device Name:	Mast and lift arm kit number:
60100001	Eva400EE	81000055
60100001BC	Eva400BC	81000055
60100002	Eva450EE	81000054
60100003	Eva600EE	81000054
60100006	Eva450EEL	81000054
60100006J	Eva450EE	81000054
60100007	Eva450EML	81000054
60100009	Eva450EE	81000054
60100010	Eva600EE	81000054
60100011	Eva400EM	81000055
60100012	Eva450EM	81000054
60100013J	Eva450EM	81000054

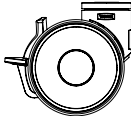

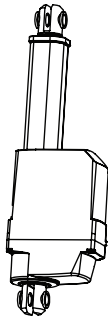
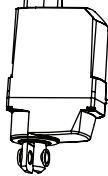

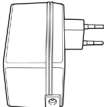
**If you have any questions, contact us at customerservice@handicare.se
on +46 (0) 8 557 62 200, or refer to your local Handicare sales representative.**

Spare parts








Description of parts



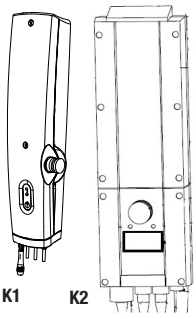
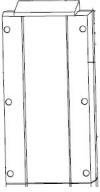
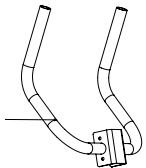
Spare part list

Pos	Article no.	Product	Unit	Components	Images
A	80100002	Rear castor 100 mm	1 pce	1 x Rear castor 1 x Locking nut M10	
B	80100001	Front castor 100 mm	1 pce	1 x Front castor 1 x Locking nut M10	
C1	80100055	Actuator leg-spreading (400)	1 set	1 x Actuator 1 x Motor cable for LA23 2 x Locking nut M8 0,25 x Cardboard	
C2	80100056	Actuator leg-spreading (450/600)	1 set	1 x Actuator 1 x Linak LA23 phone cable 2 x Locking nut M8 0,25 x Cardboard	
D1	80100048	Cable for charger EU (450/600)	1 pce	1 x Charger	
	80100045	Cable for charger US (450/600)	1 pce	1 x Charger	
	80100046	Cable for charger UK (450/600)	1 pce	1 x Charger	
	80100047	Cable for charger AUS (450/600)	1 pce	1 x Charger	
D2	80100052	Charger EU (400)	1 pce	1 x Cable for charger	 EU
	80100060	Charger US (400)	1 pce	1 x Cable for charger	
	80100059	Charger UK (400)	1 pce	1 x Cable for charger	
	80100061	Charger AUS (400)	1 pce	1 x Cable for charger	

Spare part list

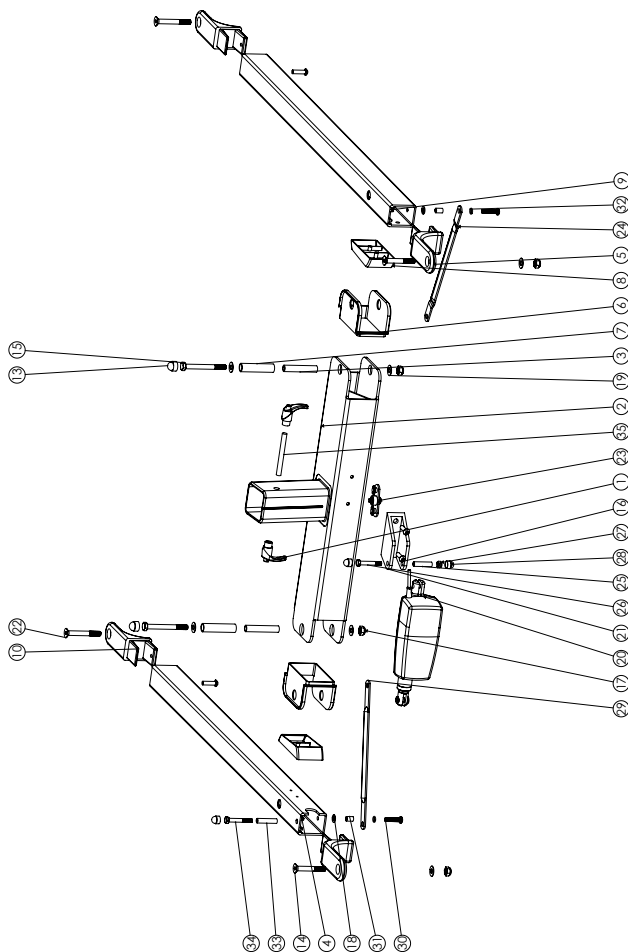
Pos	Article no.	Product	Unit	Components	Images
E	80100032	Lever	1 set	2 x Lever 1 x Threaded rod M10x95 2 x Washer 10,5x20x2	
F1	80100044	Hand control 4-buttons (450/600)	1 pce	1 x Hand control	
F3	80100062	Hand control 4-buttons Linak CBJH (400EE)	1 pce	1 x Hand control	
G1	80100053	Actuator mast (400)	1 set	1 x Actuator LA31 2 x Locking nut 0,5 x Cardboard	
G2	80100054	Actuator Mast (450/600)	1 set	1 x Actuator LA44 2 x Locking nut M8 0,5 x Cardboard	
H	70200002	SlingBar Alu M	1 set	1 x Sling bar M frame 1 x Shoulder bolt 1 x Locking nut M8 1 x Label PET silver 2 x Crystal label HC	
I	80100058	Sling bar lock for alu sling bar	1 set	10 x Cargo barrier 20 x Screw M5x12	

Spare part list

Pos	Article no.	Product	Unit	Assemb. parts	Images
K1	80100051	Control box CBJH (400)	1 pce	1 x Control box 0,5 x Cardboard	 <p>K1 K2</p>
K2	80100042	Controlbox CBJ (450/600)	1 pce	1 x Control box	
	80100057	Battery CBJ	1 pair	2 x Batteries	
L	80100043	Battery box CBJ (450/600)	1 pce	1 x Battery box 1 x Aircap bag	
M	80100034	Push handlebar	1 pce	1 x Push handlebar 2 x Locking nut M8 2 x Plug 1 x Cardboard push handles	

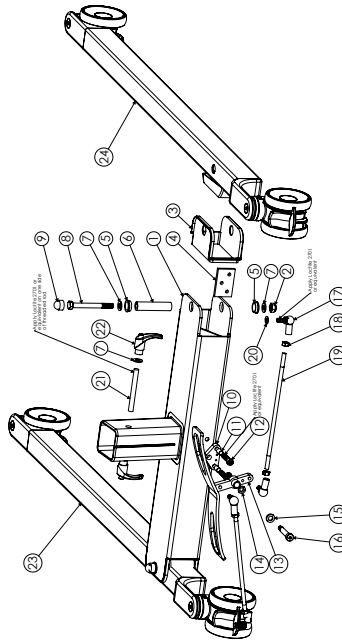
Exploded view - chassies Eva400EE/Eva450EE

ITEM NO	DOCUMENT NO	DESCRIPTION	QTY.
1	90000329	Locking handle LSS4M10S	2
2	90000633	Center support EE	1
3	90000905	Pivot sleeve roller	2
4	90000632	Leg left LINK	1
5	90000630	Rear fork LINK	2
6	90000285	Leg trim	2
7	90000306	Pivot sleeve roller	2
8	90000287	Leg cap filter	2
9	90000631	Leg right LINK	1
10	90000288	Front fork	2
11	90000259	Front wheel 100mm	2
12	90000260	Rear wheel 100mm	2
13	90000640	Nut cover M5x110	2
14	90000301	Screw M5x DIN997 8.8 M10x70	2
15	90000150	Screw M5x DIN931 8.8 M10x95	2
16	90000152	Screw M5x SD 1580 8.8 M10x95	2
17	90000259	Lock nut DIN954 C16 M10 Z8	4
18	90000345	Washer DIN125-84	4
19	90000361	Washer DIN125-10.5	6
20	90000367	Actuator LA 44	1
21	90000269	Base bracket LINK	1
22	90000784	Screw M5x DIN977 8.8 M10x80	2
23	90000464_5	Washer	1
24	90000460	Strut leg sleeve #1Z	1
25	90000307	Pivot hinge actuator	1
26	90000308	Screw M5x DIN931 8.8 M8x50	1
27	90000206	Lock nut DIN954M8	1
28	90000330	Nut cover M8x8	3
29	90000461	Strut leg sleeve #2	1
30	90000153	Screw M5x SD1580 8.8 M8x55	2
31	90000672	Sleeve 106x815	2
32	90000740	Ø Ring 8.3	2
33	90000665	Sleeve 106x845	1
34	90000147	Screw M5x DIN931 8.8 M8x55	1
35	90000400	Threaded steel rod M10x95	1

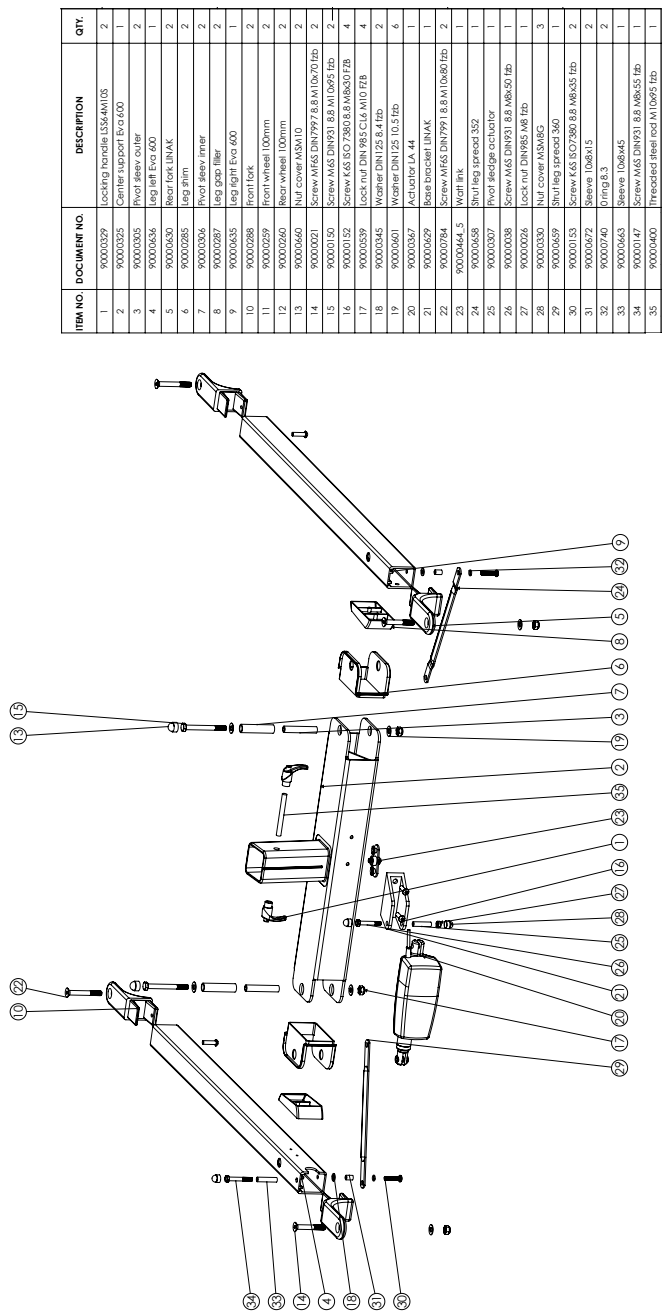


Exploded view- chassis Eva400EM/Eva450EM

BOM Table			
ITEM NO.	DOC/ITEM NO.	TITLE	QTY.
1	90002000	Center support Bolt	1
2	90003039	Lock nut DIN 955 Cl.6x110 FB	2
3	90002085	Leg arm	2
4	90002085	Fastening plate	1
5	90000656	Washer flange 18x22x7	4
6	90000657	Pivot sleeve ext 75.5x18.1 Lx10	2
7	90000660	Washer DIN 25 10.5x20x2 tbd	6
8	90000150	Screw M6x5 DIN931 8.8 M10x45 tbd	2
9	90000660	Nut cover MSMA10	2
10	90001631	Plate pectoral shoulder bolt	1
11	90000672	Sleeve 10x8x15	2
12	90000786	Screw M6x5 DIN912 8.8 M10x40 tbd	2
13	90000498	Pectoral shell	1
14	90000501	Bushing 10x12x6 PA-46	2
15	90000528	Washer PE 10.5x18x4	1
16	90001422	Shoulder bolt ISO2379 12.9 10x8x45	1
17	90000645	Bolt PHD DIN71802 M8	4
18	90000904	Nut M8 DIN934 M8 tbd	4
19	90000499	Threaded sleeve ISO26255 tbd	2
20	90003045	Washer DIN 25.8 Ax10x12 tbd	2
21	90000400	Threaded sleeve M10x95 tbd	1
22	90000529	Locking handle ISO44105	2
23	90003134	Eva400EM leg castm	1
24	90003135	Eva450EM leg castm right	1

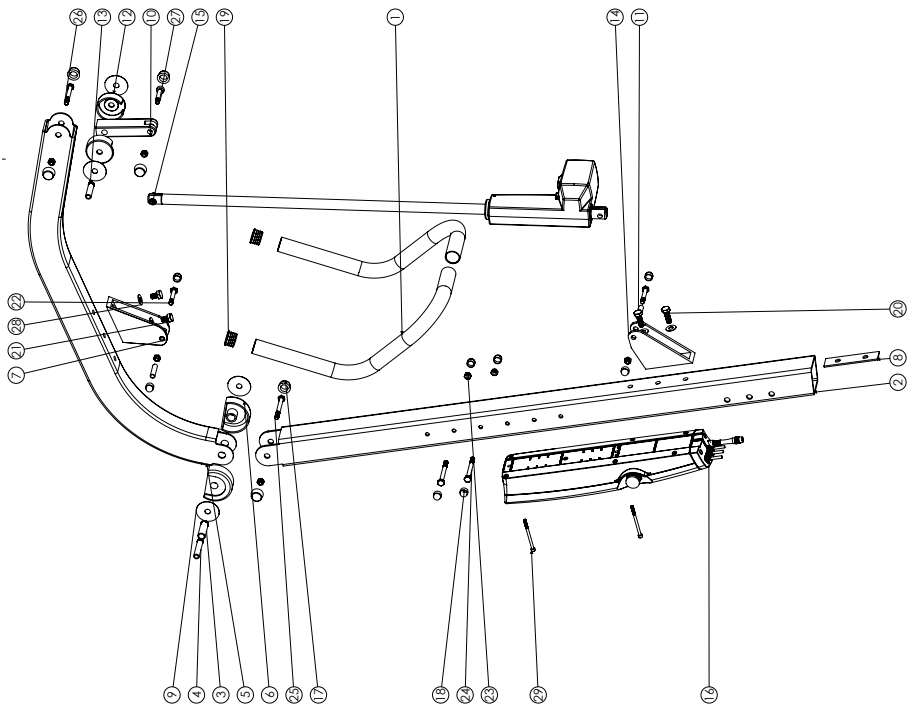


Exploded view- chassis Eva600EE



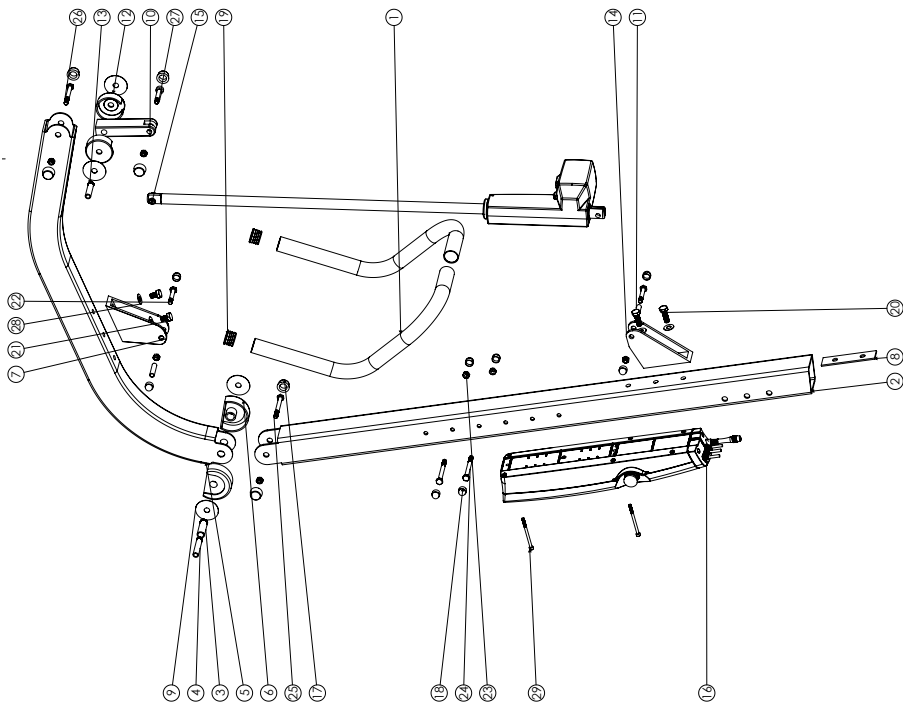
ITEM NO.	DOCUMENT NO.	DESCRIPTION	QTY.
1	90000329	Locking handle LSS4N105	2
2	90000325	Center support Eva600	1
3	90000305	Pivot sleeve outer	2
4	90000436	Leg left Eva 600	1
5	90000430	Rear fork INAK	2
6	90000285	Leg shim	2
7	90000306	Pivot sleeve inner	2
8	90000287	Leg gap filler	2
9	90000435	Leg right Eva 600	1
10	90000288	Front fork	2
11	90000259	Front wheel 100mm	2
12	90000260	Rear wheel 100mm	2
13	90000270	Ball cover M30x10	2
14	90000271	Screw M4x5 DIN934 8.8 M10x20 Irb	2
15	90000150	Screw M4x5 DIN934 8.8 M10x65 Irb	2
16	90000152	Screw L6.5 ISO 7380.8.8 M8x30 Irb	4
17	90000539	Lock nut DIN 984 C14 M10 Irb	4
18	90000345	Washer DIN175 8.8 Irb	2
19	90000401	Washer DIN172 10.5 Irb	2
20	90000367	ASUSTOTEK M.4	6
21	90000259	Ball cover INAK	1
22	90000384	Screw M4x5 DIN934 8.8 M10x67 Irb	2
23	90000264	Ball IRK	1
24	90000438	Ball IRK 90 Jira 352	1
25	90000307	Pivot pin DIN 934 C14 Irb	1
26	90000338	Screw M4x5 DIN934 8.8 M8x50 Irb	1
27	90000026	Lock nut DIN984 C14 Irb	1
28	90000330	Ball cover M30x65	3
29	90000659	Pin IRK Jira 356	1
30	90000153	Screw L6.5 ISO 7380.8.8 M8x55 Irb	2
31	90000572	Bush IRK615	2
32	90000746	Pin IRK3	1
33	90000665	Bush IRK645	2
34	90000147	Screw M4x5 DIN934 8.8 M8x55 Irb	1
35	90000400	Pin IRK IRK M10x95 Irb	1

Exploded view - mast and boom Eva400EE



ITEM NO.	DOCUMENT NO.	DESCRIPTION	QTY.
1	9000293	Handle	1
2	9002634	Mast	1
3	9000300	Bearing mast/boom	1
4	9000306	Roller sleeve inner	1
5	9000144	Roller	1
6	9000290	Mast pivot coating	2
7	9002628	Top bracket BLAK	1
8	9000308	Nut for mast and boom	1
9	9000304	Roller sleeve	4
10	9000304	Roller sleeve	4
11	9000307	Spacer for track	1
12	9000307	Pre-load adjuster	2
13	9000301	Spacer for coating	2
14	9000298	Bearing boom OPA	1
15	9000293	Roller bracket	1
16	9000364	Eva actuator LA 31 716	1
17	9000014	Control box CBH EVA	1
18	9000330	M10 nut cap	6
19	9000007	Nut cover MSW85	8
20	9000152	Plug button	2
21	9000721	Screw M5 DIN934 8.8 M10x30 ffd	2
22	9000038	Screw M5 DIN934 8.8 M10x12 ffd	2
23	9000026	Screw M5 DIN931 8.8 M8x50 ffd	7
24	9000013	Lock nut DIN954 M6 ffd	2
25	9000040	Screw M5 DIN931 8.8 M8x80 ffd	2
26	9000028	Screw M5 DIN931 8.8 M8x75 ffd	1
27	9000013	Shoulder bolt ISO7379 12.9 10mmx35	1
28	9000060	Washer DIN125 10.5 ffd	4
29	9000078	Screw M5x8 DIN9 12x8.8 M5x7.5 ffd	2

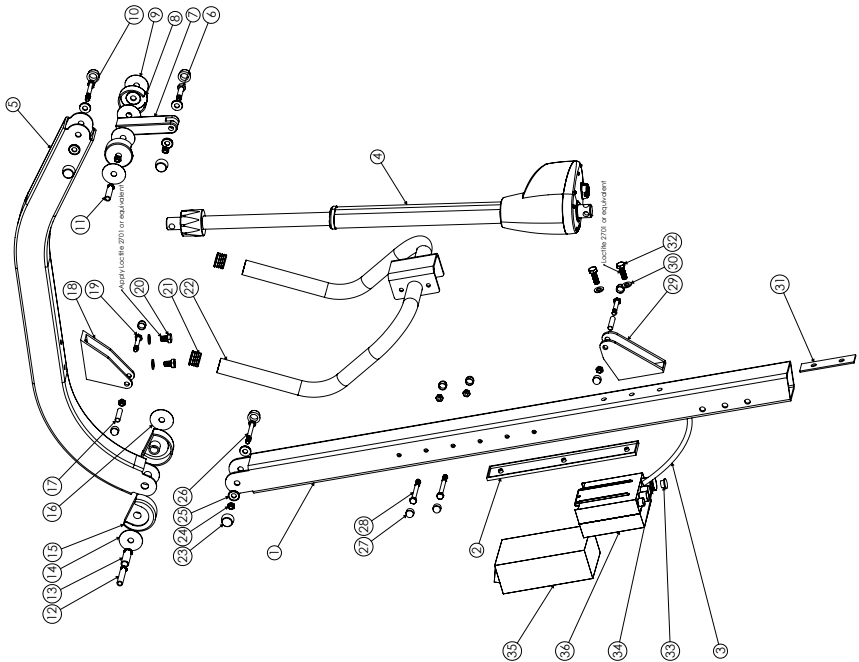
Exploded view - mast and boom Eva400EM



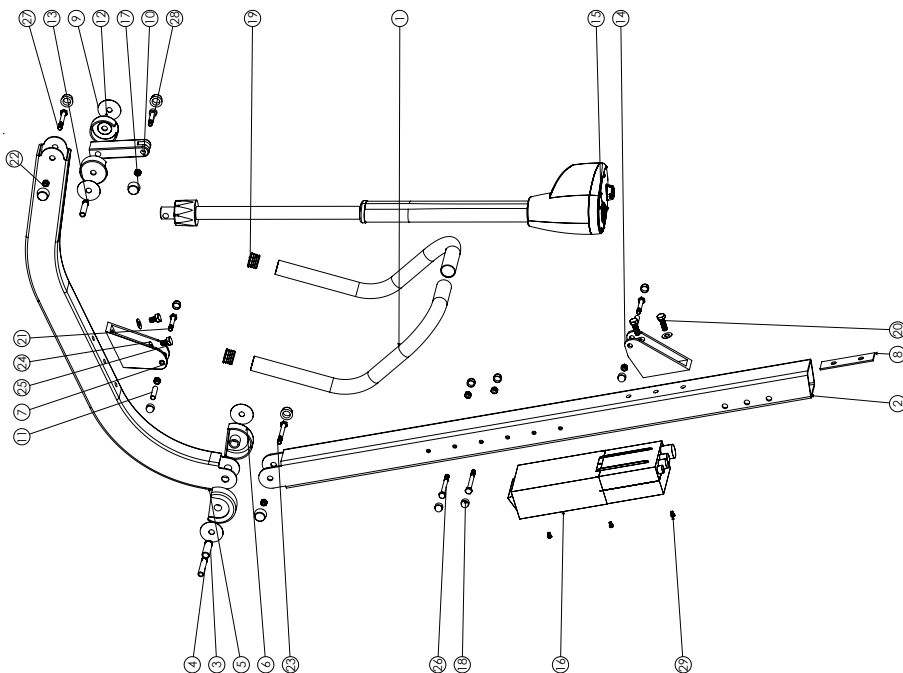
ITEM NO.	DOCUMENT NO.	DESCRIPTION	QTY.
1	90000293	Handle	1
2	90000434	Mast	1
3	90000300	Burning mast/boom	1
4	90000926	Pivot sleeve inner	1
5	90000144	Boom	1
6	90000290	Mast pivot coating	2
7	90000628	Top bracket L/MAK	1
8	90000928	Nut bar mast and boom	1
9	90000326	Plastic washer	4
10	90000294	Spreader bar pivot	1
11	90000927	Pivot flange roller	2
12	90000921	Spreader bar coating	2
13	90000298	Burning boom SPR	1
14	90000293	Bottom bracket	1
15	90000344	Socketbar A 31 718	1
16	90000364	Socketbar C/BUHEVA	1
17	90000014	M12 nut cap	6
18	90000365	Nut cover	8
19	90000047	Plug 19x15	2
20	90000152	Screw M6x DIN931 8.8 M10x20 /lb	2
21	90000021	Screw M6x DIN931 8.8 M10x12 /lb	2
22	90000038	Screw M6x DIN931 8.8 M8x30 /lb	2
23	90000026	Lock nut DIN964 100 /lb	2
24	90000013	Screw M6x DIN931 8.8 M8x60 /lb	2
25	90000040	Screw M6x DIN931 8.8 M8x75 /lb	1
26	90000028	Screw M6x DIN931 8.8 M8x75 /lb	1
27	90000153	Shoulder bolt ISO/23712/10x6x35	1
28	90000601	Washer DIN125 10,5 /lb	4
29	90000298	Screw M6x DIN917 8.8 M6x35 /lb	2

Exploded view - mast and boom Eva450EM

ITEM NO.	DOCUMENT NO.	TITLE	QTY.
1	90000634	Mast Link	1
2	90001889	Link M8x2 incl. screws	1
3	90002669	Mast cable LA44 rok	1
4	90000365	Actuator LA44 718	1
5	90000164	Boom	1
6	90000153	Washer FE 50x126x0.5	1
7	90000294	Spreader bar pivot	1
8	90000291	Spreader bar coating	2
9	90000297	Washer FE 50x126x0.5	4
10	90000298	Screw M6x DIN913 8.8. M6x65 11b	1
11	90000298	Bushing boom/1st bar 50x126	1
12	90000300	Bushing mast/boom 62x126	1
13	90000299	Bushing mast/boom 50x16x12	1
14	90000824	Washer FE 50x126x2	1
15	90000290	Mast pivot coating	2
16	90000296	Washer FE 50x126x1	1
17	90000307	Pivot hinge actuator	2
18	90000628	Top bracket Eva Link	1
19	90000338	Screw M6x DIN913 8.8. M6x50 11b	2
20	90000677	Screw M6x DIN913 8.8. M10x116 11b	2
21	90000047	Plug II 3228-30G	2
22	90000295	Push handle bar	1
23	90000104	Nut cap M10 grey	6
24	90000102	Lock nut DIN953 M8 11b	6
25	9000012	Washer M10 for nut cap	7
26	90000040	Screw M6x DIN913 8.8. M6x75 11b	1
27	90000330	Nut cover M3M8G	8
28	90000113	Screw M6x DIN913 8.8. M6x80 11b	2
29	90000293	Actuator bottom bracket	1
30	90000601	Washer DIN125 10,5x20x2 11b	4
31	90000308	Nut bar mast end boom	1
32	90000046	Screw M6x DIN913 8.8. M10x30 11b	2
33	90001939	Plug for CBJ	1
34	90001940	O-ring for plug CBJ	1
35	90000952	Battery box CB.J	1
36	90000951	Control box CB.2	1

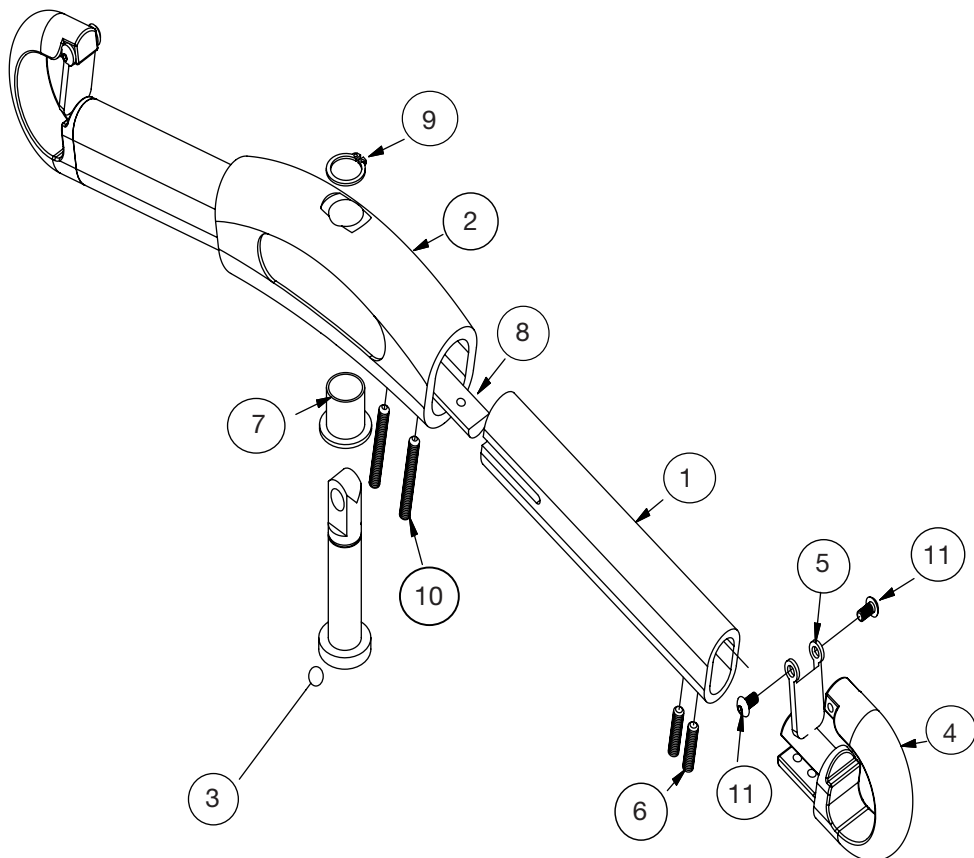


Exploded view - mast and boom Eva450EE/Eva600EE



ITEM NO.	DOCUMENT NO.	DESCRIPTION	QTY.
1	9000293	Handle	1
2	9000454	Mast	1
3	9000300	Bushing mast/boom	1
4	9000306	Bushing sleeve inner	1
5	9000144	Bushing sleeve outer	1
6	9000290	Mast pivot casting	2
7	9000428	Top bracket INAK	1
8	9000308	Nut bar mast and boom	1
9	9000306	Sprocket	4
10	9000294	Sprocket pin	1
11	9000307	Sprocket roller	2
12	9000291	Sprocket roller casting	2
13	9000298	Bushing boom SPR	1
14	9000293	Top bracket	1
15	9000385	CVA Actuator DA.44	1
16	83590034	Control box CB2	1
17	9000014	MFO mid case	6
18	9000330	Nut cover M0M8G	6
19	9000047	Bushing pin	3
20	9000132	Screw M6x DIN931 2.6 M10x20 1lb	2
21	9000038	Screw M6x DIN931 2.6 M8x50 1lb	2
22	9000026	Lock nut DIN955 M8 1lb	2
23	9000040	Screw M6x DIN931 2.6 M8x75 1lb	7
24	9000601	Washer DIN175 10.376	1
25	9000171	Screw M6x DIN933 2.6 M10x1.6 1lb	4
26	9000013	Screw M6x DIN931 2.6 M8x60 1lb	2
27	9000028	Screw M6x DIN931 2.6 M8x65 1lb	1
28	9000153	Shoulder bolt ISO1219 T27 10xM8x35 1	1
29	9000189	Screw M12x5 DIN7984 G.8 M5x8 3	3

Exploded view- SlingBar



Components-SlingBar

Pos.	Product	Unit
1	Tube	2
2	Centercasting	1
3	Supportpin	1
4	Slinghook	2
5	Hangerstraplock	2
6	Screw for slinghook and tube	4
7	Plasticbushing for supportpin	1
8	Nutbar	2
9	Retainingring	1
10	Screw for tube and center casting	4
11	Screw for hangerstraplock	4

Periodic inspection - protocol

Lift type:
s/n:
Version:
Prod. year:
Sling bar id.:

Contract no:
Name:
Address:

Situation of use: Home Institution Other

Comments: 1. Attention 2. Correct 3. Do not use!

Base:

<input type="checkbox"/>	<input type="checkbox"/>	Check for visible damage
--------------------------	--------------------------	--------------------------

Check:

A	<input type="checkbox"/>	Castor
---	--------------------------	--------

B	<input type="checkbox"/>	Brakes
---	--------------------------	--------

C	<input type="checkbox"/>	Legspreading
---	--------------------------	--------------

Mast:

<input type="checkbox"/>	<input type="checkbox"/>	Inspect the mast
--------------------------	--------------------------	------------------

Check:

D	<input type="checkbox"/>	Locking handles
---	--------------------------	-----------------

E	<input type="checkbox"/>	Lift arm hardware etc
---	--------------------------	-----------------------

F	<input type="checkbox"/>	Link
---	--------------------------	------

G	<input type="checkbox"/>	Slingbar and the function of the safety latches
---	--------------------------	---

H	<input type="checkbox"/>	Mast actuator
---	--------------------------	---------------

I	<input type="checkbox"/>	Battery and cable installations
---	--------------------------	---------------------------------

J	<input type="checkbox"/>	Hand control
---	--------------------------	--------------

K	<input type="checkbox"/>	Emergency stop
---	--------------------------	----------------

L	<input type="checkbox"/>	Emergency lowering
---	--------------------------	--------------------

M	<input type="checkbox"/>	Charging
---	--------------------------	----------

N	<input type="checkbox"/>	Product label
---	--------------------------	---------------

O	<input type="checkbox"/>	Lift arm joint
---	--------------------------	----------------

Test of safe working load:

<input type="checkbox"/>	<input type="checkbox"/>	Safe working load test mast
--------------------------	--------------------------	-----------------------------

<input type="checkbox"/>	<input type="checkbox"/>	Safe working load test base
--------------------------	--------------------------	-----------------------------

<input type="checkbox"/>	<input type="checkbox"/>	Mechanical emergency lowering
--------------------------	--------------------------	-------------------------------

Accessories:

Documentation:

<input type="checkbox"/>	<input type="checkbox"/>	Instructions / manuals
--------------------------	--------------------------	------------------------

Control box:

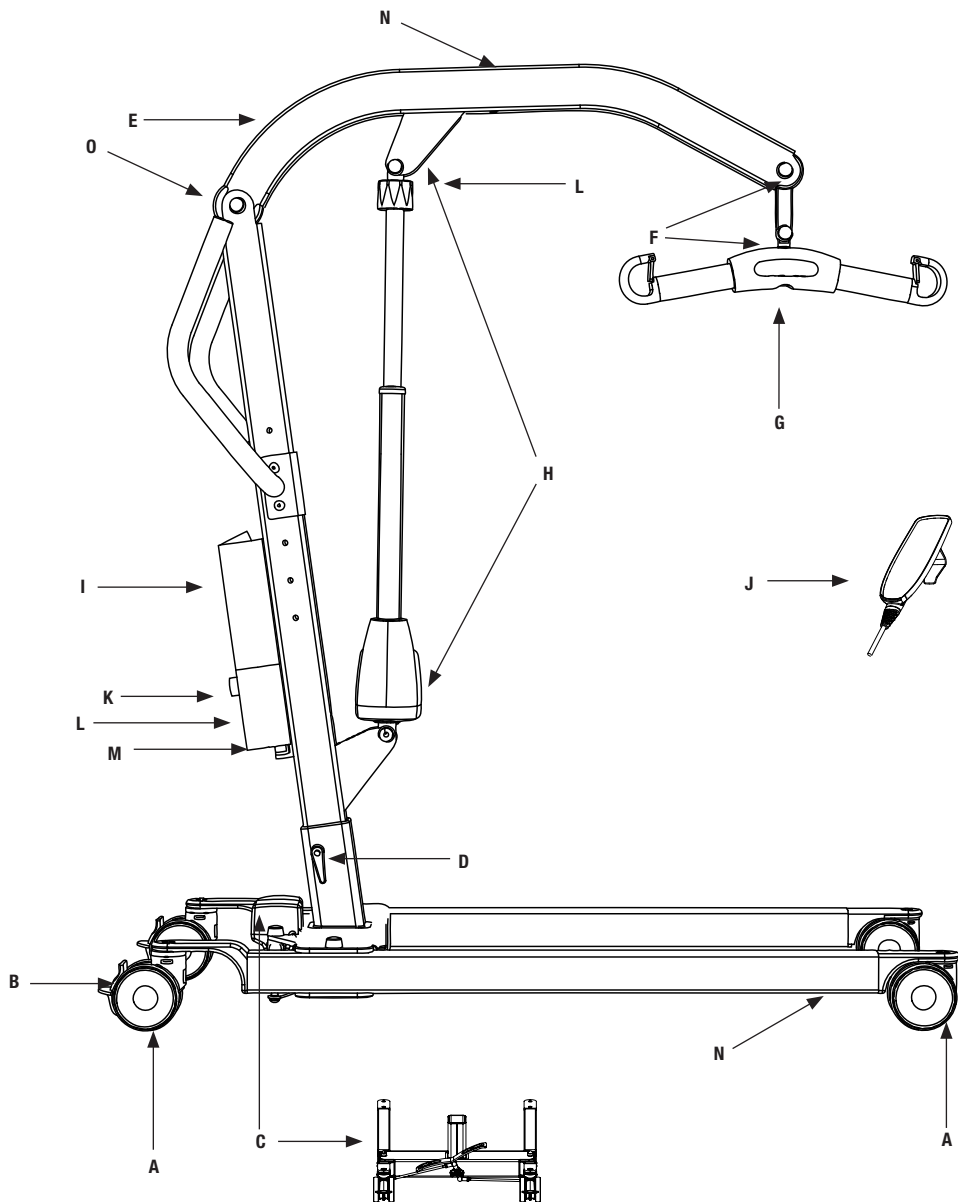
<input type="checkbox"/>	<input type="checkbox"/>	Reset the control box service counter
--------------------------	--------------------------	---------------------------------------

Date:

Load test weight:

Serviced by:

Description for periodic inspection



Eva400EM/Eva450EM

Periodic inspection - instruction

Instruction:

Check the base

-Check the base for visible damage to the surfaces, finish, etc.

Castors

-Roll the lift unloaded on the floor, check that the castors roll and turn freely.
-Check that the castor fasteners are tight.

Brakes

-Lock the brakes. Check that the castors do not turn when the lift is pushed.

Check the legspreading actuator

-Check the legspreading actuator for visible damage to the surfaces, finish, etc.
-Check screws, bolts and links etc.

Check the mast

-Check the mast for visible damage to the surfaces, finish etc.
-Check screws, nuts, bolts etc.

Locking handles

-Check the locking handles. Verify that threads are not damaged or binding.

Liftarm, hardware

-Check the liftarm for visible damage to the surfaces, finish etc.
-Check screws, nuts, bolts etc.

Link

-Check the link, slingbar to mast, hardware and covers.
-Check screws, bolts and links etc.

Slingbar and safety latch function

-Check to ensure that there is no visible wear or damage.

Check the mast actuator

-Verify that the upper and lower actuator fasteners to the mast are tight.
-Visual inspection.
-Check of abnormal noise level.

Periodic inspection - instruction

Instruction:

Check battery and electrical cable.

-Verify that all cables are properly inserted.

Controlbox

-Verify that all functions on the control panel are working

Handcontrol

-Verify that all functions on the handcontrol are working.

Emergency stop

-Verify that the lift does not operate when emergency stop is pressed in.

Emergency lowering

-Verify the function of emergency lowering.

Charging

-Verify that charging is operating. Yellow lamp on the controllbox should light up when charging.

Product lable

- Check the serial number so that the label is there and readable. Note the serial number on the protocol.

Lift arm joint

- Check the joint for cracks or ware.

Max. load test

Mast max. load

-Run the lift with maximum load, all the way up and down, listen for peculiar noises and vibrations.

Base max. load

-Widen the base with maximum load, listen for peculiar noises and vibrations.

Accessories

-Check the accessories to the lift.

Documentation

-Instruction / Manual

**To reset the service counters press both lift buttons on the hand control at the same time for 5 seconds.
An audio signal will indicate that the timer has been reset.**



Maintenance

The lift must undergo thorough inspection at least once per year. Inspection must be performed by authorized personnel and in accordance with Handicare's service manual.

Repairs and maintenance may only be done by authorized personnel using original spare parts.



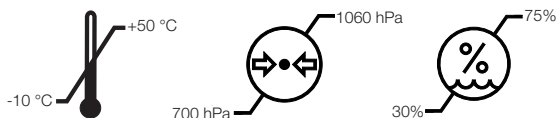
Used batteries are to be left at the nearest recycling station. Used batteries can also be returned to Handicare or a Handicare dealer for recycling.

Cleaning/disinfection

If necessary, clean the lift with warm water or a soap solution and check that the castors are free from dirt and hair. Do not use cleaning agents containing phenol or chlorine, as this could damage the aluminium and the plastic materials. If disinfection is needed, 70 % ethanol, 45 % isopropanol or similar should be used.

Storage and transportation

If the lift is not to be used for some time or e.g., during transport, we recommend that the emergency stop button be pressed in. The lift should be transported and stored in -10°C to $+50^{\circ}\text{C}$ and in normal humidity, 30% -75 %. The air pressure should be between 700 and 1060 hPa. Let the lift reach room temperature before the batteries are charged or the lift is used.



Service agreements

Handicare offers the possibility of service agreements for maintenance and regular testing of your mobile lift. Contact your local Handicare representative.

Technical Information

	Eva400	Eva450	Eva600
Lifting speed:	34 mm/s without load.		
Batteries:	Two 12V, 2.9 Ah valve-regulated, sealed, lead accumulator (gel-type batteries)		
Internal charger:	Included cable. Max. 400mA		
External charger:	Linak CH01 (9000368) Mains voltage 100-240VAC (50/60 Hz). Max. 400mA		
Motor (mast):	DC 24V, 5 A. IP X4. Operationtime: 10% at maximum continous running of 2 minutes, maximum 5 switching cycles per minute. Push: 6000N.	DC 24 V, 10 A. IP X4. Operationtime: 10% at maximum continous operation of 2 minutes, maximum 5.5 cycles per minute. Push: 10 000N.	
Motor (base):	24V, 5 A, IP X4. Operationtime: 10% at maximum continous operation of 2 minutes, maximum 5 cycles per minute. Push: 3000N.	24 V, 3 A, IP X4. Operationtime: 10% at maximum continous operation of 2 minutes, maximum 5.5 cycles per minute. Push: 3000N.	
Sound level:	With load: upwards: 43 dB(A) downwards: 44 dB(A).	With load: upwards: 74.7 dB(A) downwards: 52.6 dB(A).	
Material	Aluminum		
Emergency lowering:	Mechanical and electrical		
Castors:	Front 4", 100 mm, back 4", 100mm		
Weight:	75 lbs, 34 kg		86 lbs, 39 kg
IP class:	IP X4		
Expected lifetime:	10 years		
Operating forces buttons on handset:	4 N		
Max. load:	400 lbs, 180 kg	450 lbs, 205 kg	600 lbs, 270 kg

The lift complies with the requirements of Council Directive 93/42/EEC of 14. June 1993 concerning medical devices.



The device is intended for indoor use.



Type B, according to the degree of protection against electric shock.

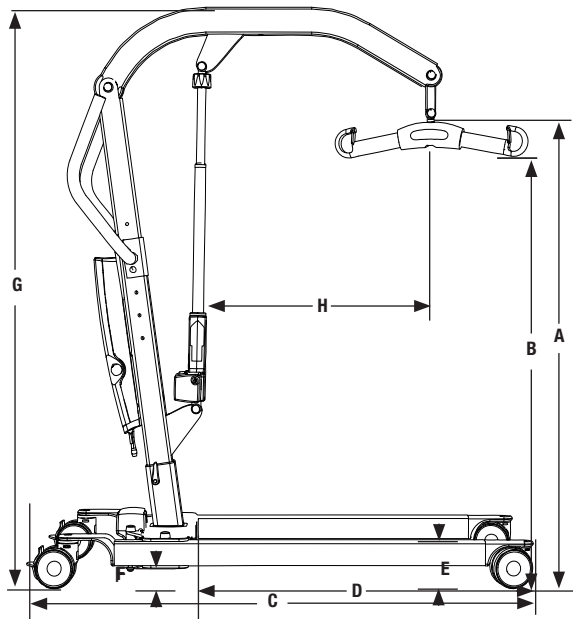


Attention! Consult accompanying documents.

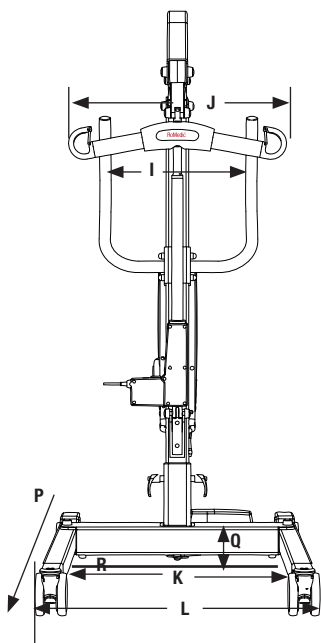


Refer to instructions manual. Consult accompanying documents.

Dimensions Eva400



	A	B
A1	58-186	22.85-73.28
A2	63-191	24.82-75.25
A3	68-196	26.79-77.22
B1	50-169	19.70-66.59
B2	54-174	21.28-68.56
B3	59-179	23.25-70.53
C	130	51,22
D	88	34,67
E	11,5	4,53
F	6	2,36
G1	133-192	52.4-75.65
G2	138-197	54.37-77.62
G3	143-202	56.34-79.59
H	55	21.67



	A	B
I	44	17.34
J	45	17.73
K	58,5-88	23.05-34.67
L	68.5-98	26.99-38.61
M	134	54
N	34	74.9
O	14,5	31.9
Q	27	10.64
S	41	16,1
T	22	8,7
U	45	17,7

Column A measurement is in cm and weight is in kg.

Column B measurement is in inch and weight is in lbs.

M is turning diameter

N is total weight of lift

O is the weight of the heaviest component

P is movement in forward direction

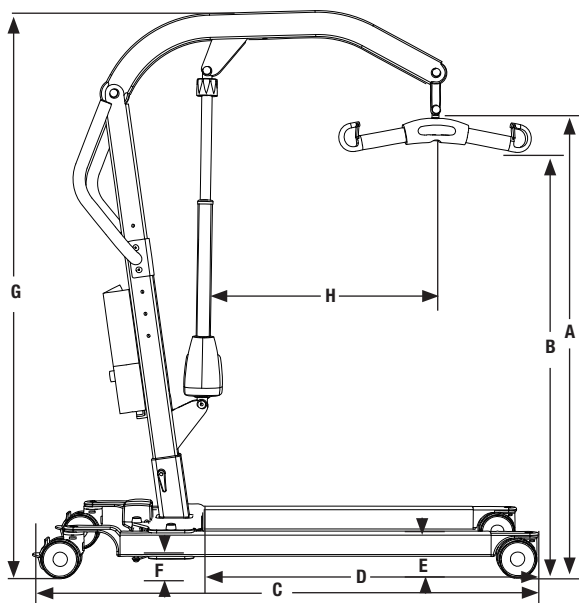
R is reference measure 70 cm with max legspreading

S is minimum distance from wall to slingbar at maximum height (legs spread).

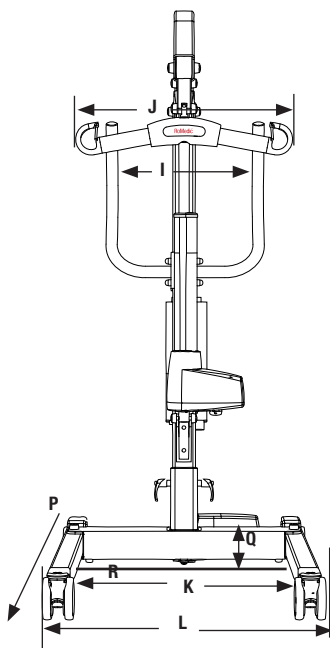
T is minimum distance from wall to slingbar at maximum reach (legs spread).

U is minimum distance from wall to slingbar at minimum height (legs spread).

Dimensions Eva450



	A	B
A1	58-186	22.85-73.28
A2	63-191	24.82-75.25
A3	68-196	26.79-77.22
B1	50-169	19.70-66.59
B2	54-174	21.28-68.56
B3	59-179	23.25-70.53
C	130	51,22
D	8	34,67
E	11,5	4,53
F	6	2,36
G1	133-192	52.4-75.65
G2	138-197	54.37-77.62
G3	143-202	56.34-79.59
H	55	21.67



	A	B
I	44	17.34
J	45	17.73
K	58,5-88	23.05-34.67
L	68,5-98	26.99-38.61
M	134	54
N	34	74.9
O	14,5	31.9
Q	27	10.64
S	41	16,1
T	22	8,7
U	45	17,7

Column A measurement is in cm and weight is in kg.

Column B measurement is in inch and weight is in lbs.

M is turning diameter

N is total weight of lift

O is the weight of the heaviest component

P is movement in forward direction

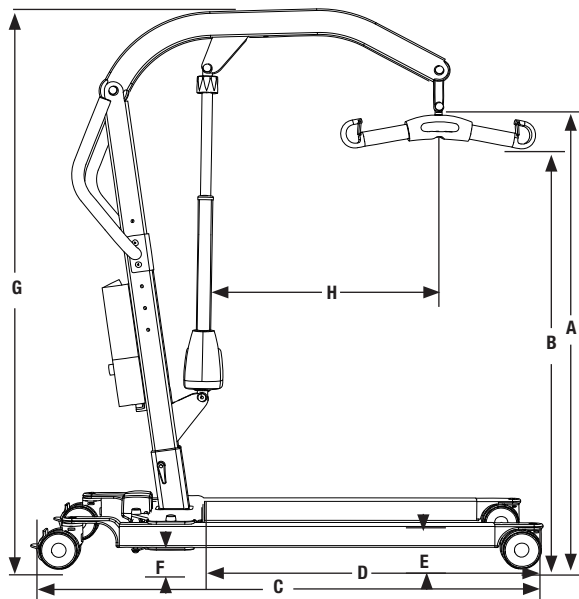
R is referencemeasure 70 cm with max legspreading

S is minimum distance from wall to slingbar at maximum height (legs spread).

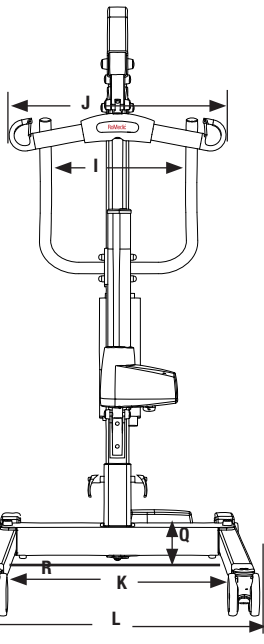
T is minimum distance from wall to slingbar at maximum reach (legs spread).

U is minimum distance from wall to slingbar at minimum height (legs spread).

Dimensions Eva600



	A	B
A1	58-186	22.85-73.28
A2	63-191	24.82-75.25
A3	68-196	26.79-77.22
B1	50-169	19.70-66.59
B2	54-174	21.28-68.56
B3	59-179	23.25-70.53
C	141	55,55
D	88	34,67
E	11,5	4,53
F	6	2,36
G1	133-192	52.4-75.65
G2	138-197	54.37-77.62
G3	143-202	56.34-79.59
H	55	21.67



	A	B
I	44	17.34
J	45	17.73
K	65-105	25.61-41.37
L	75-115	29.55-45.31
M	134	54
N	39	74.9
O	14,5	31.9
Q	27	10.64
S	41	16,1
T	22	8,7
U	45	17,7

Column A measurement is in cm and weight is in kg.

Column B measurement is in inch and weight is in lbs.

M is turning diameter

N is total weight of lift

O is the weight of the heaviest component

P is movement in forward direction

R is reference measure 70 cm with max legspreading

S is minimum distance from wall to slingbar at maximum height (legs spread).

T is minimum distance from wall to slingbar at maximum reach (legs spread).

U is minimum distance from wall to slingbar at minimum height (legs spread).

Simple solutions for great results

SystemRoMedic™ is the name of Handicare's unique easy transfer concept, the market's widest and most comprehensive range of clever, easy-to-use and safe transfer and lifting aids designed to make life easier, both for the user and for the caregiver. SystemRoMedic™ is a complete solution that provides for the majority of patient transfer or manual handling requirements. From the simplest to the most complex scenarios, from the lightest to the heaviest. The concept encompasses assistive devices for four different categories of transfers:

- Transfer, assistive devices for manual transfers of users between two locations.
- Positioning, assistive devices for manual repositioning of users within the same location.
- Support, assistive devices for mobility support e.g., during sit-to-stand or gait training.
- Lifting, assistive devices for manual and mechanical lifting of users.

Improved work environment, improved quality of care and cost savings

The philosophy behind SystemRoMedic™ is focused on the prevention and reduction of occupational injuries while allowing users to experience a greater sense of independence and dignity. Through a unique combination of training and a complete range of efficient transfer aids, SystemRoMedic™ offers improvement of both work environment and quality of care and, at the same time, achieves significant cost savings.

Always make sure that you have the correct version of the manual

The most recent version of all manuals are available for downloading at/from our website; www.handicare.com.

For questions about the product and its use

Please contact your local Handicare and SystemRoMedic™ representative. A complete list of all our partners with their contact details can be found on our website; www.handicare.com.

Handicare offers solutions and support to increase the independence of disabled or elderly people as well as to improve the convenience of those who are caring for them.

The Handicare Group is one of the leading healthcare companies in Europe with its own manufacturing organizations and sales companies in Norway, Sweden, Denmark, Germany, the Netherlands, Great Britain, France, China, Canada and the USA. Handicare's products are also distributed by partners in more than 40 countries worldwide. Our wide range of high-quality products includes a complete easy transfer system and other patient handling aids, stairlifts, car adaptations and bathing and toileting products.



Handicare AB
Maskinvägen 17
SE-972 54 Luleå, SWEDEN
Tel: +46 (0)8-557 62 200
Fax: +46 (0)8-557 62 299
E-mail: info@handicare.se
www.handicare.com