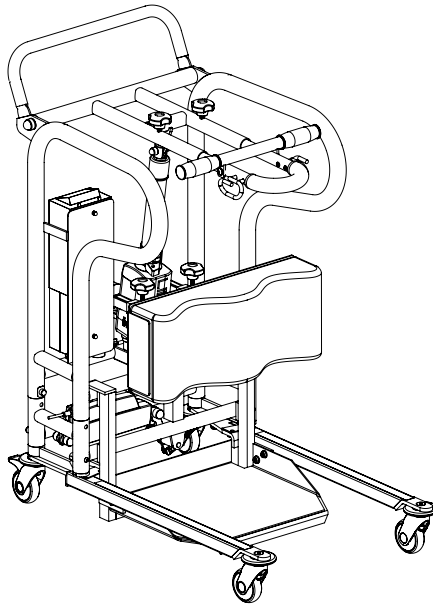


# MiniLift160 Classic



Service manual - English



SWL: 160 kg/352 lbs

REF

400641436  
400641437



## Safety information

---

### Visual inspection

Inspect lift functions regularly. Check to ensure that material is free from damage.

### Before use

Ensure that the product is correctly assembled.

Check slingbar connection and safety latch function.

Check lift and base-width movement.

Check to ensure that the actuator is correctly installed.



## Always read the user manual

---

Always read the user manuals for all assistive devices used during a transfer.

Keep the user manual where it is accessible to users of the product.

The lift may only be used by persons who have received instruction in the operation of the lift.

# Table of contents

## Assembly

-Final inspection .....	3
-------------------------	---

## Using the product

- Important information .....	4
-------------------------------	---

- Trouble-shooting .....	4
--------------------------	---

Exploded view and components .....	5
------------------------------------	---

Spare part list .....	13
-----------------------	----

Changing of spare parts .....	15
-------------------------------	----

Periodic inspection - protocol .....	17
--------------------------------------	----

- Description for periodic inspection .....	18
---	----

- Periodic inspection - instruction .....	19
---	----

Maintenance .....	21
-------------------	----

Symbols .....	22
---------------	----

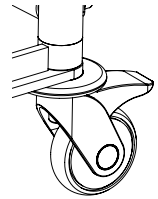
Technical information .....	22
-----------------------------	----

- Dimensions .....	23
--------------------	----

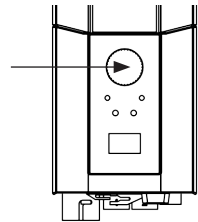
# Assembly

## Final inspection

Check to ensure that no parts have been left in the packaging.  
Inspect the lift for signs of wear and damage.  
Check all four castor wheels and castor wheel locks.  
Check all connections and fixtures including screws and bolts.



Check the emergency stop function by activating the emergency stop, and then pressing either the up or down button. If nothing happens when the up or down buttons are pressed, the emergency stop is functioning properly.



Grasp the hand control, press the up button and run the lift arm all the way up. Then, press the down button and run the lift arm all the way down.  
Test base-width adjustment function. Press the button for base-width adjustment to widen the base fully, and then press the other button to narrow the base again.



Test lift function by lifting a person (not a user) using an approved sling. At the same time, check the emergency lowering function with someone on the lift. See section on Emergency lowering.

If the lift is functioning correctly, connect the charger and check to ensure that the charging lamp on the control box lights up.

### NOTE!

Before the lift is used for the first time:

- it must be charged for at least 4 hours. See section on charging batteries.
- the control box service counter needs to be reset. To reset the service counters press both lift buttons on the hand control at the same time for 5 seconds. An audio signal will indicate that the counter has been reset.





Keep the user manual where it is accessible to users of the product.

# Using the product



## Important Information

---

- The lift must be assembled according to the assembly instructions provided with the lift.
- The lift may only be used indoors and on a level floor.
- Lifting accessories must be properly fitted and tested in relation to the user's needs and functional ability.
- Do not leave the user unattended during a transfer situation. 
- Under no circumstances may max. load be exceeded. See section on Safe working load.
- Ensure that the user's feet do not get caught between the footplate and the floor. Ensure that the user's feet do not get caught between the footplate and the base when adjusting the base width.
- MiniLift160 Classic is not intended for transporting users. It may only be used for short transfers.
- Never move the lift by pulling on the actuator! 
- The lift must not be used or immersed in or under water including showering.
- The lift should not be left / stored in a high humidity environment.
- The lift must not be charged in a wet room.
- To ensure optimal function, the lift must be inspected regularly. See section on Maintenance.
- Warranty applies only if repairs or alterations are done by an authorized technician.
- Using lifting accessories other than those approved by Handicare can entail a risk.

## Trouble-shooting

### **If the lift or base-width adjustment cannot be activated, check the following:**

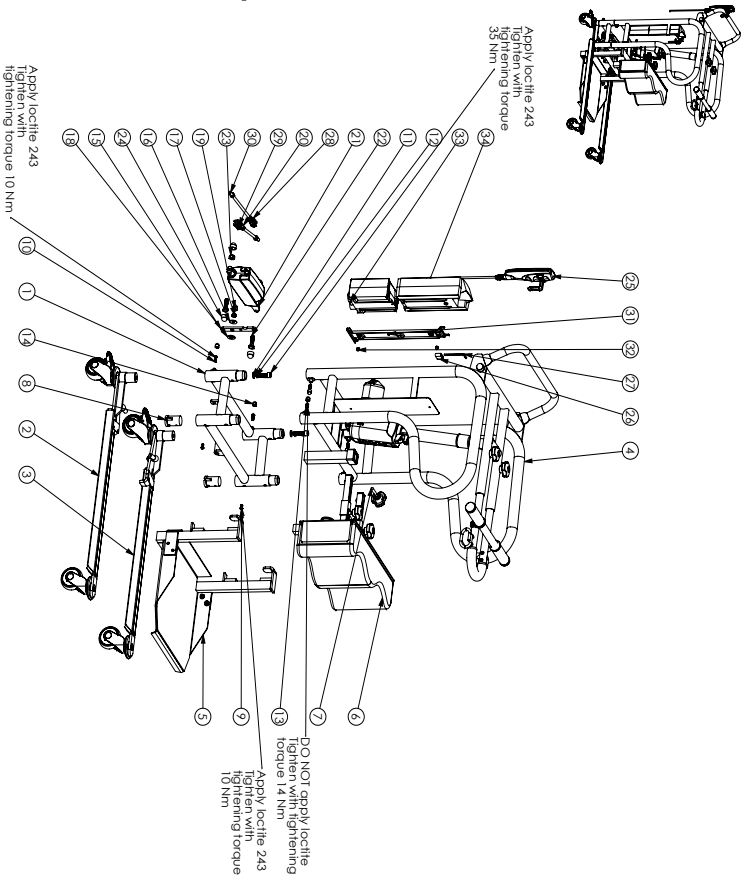
- That the emergency stop button is not pressed in.
- That all cables are properly and securely connected. Pull out the contact and plug it in again firmly.
- That battery charging is not in progress.
- That the battery is charged.

If the lift is not working properly, contact your dealer.

### **If the lift makes unusual noises:**

- Try to determine the source of the sound. Take the lift out of operation and contact your dealer.

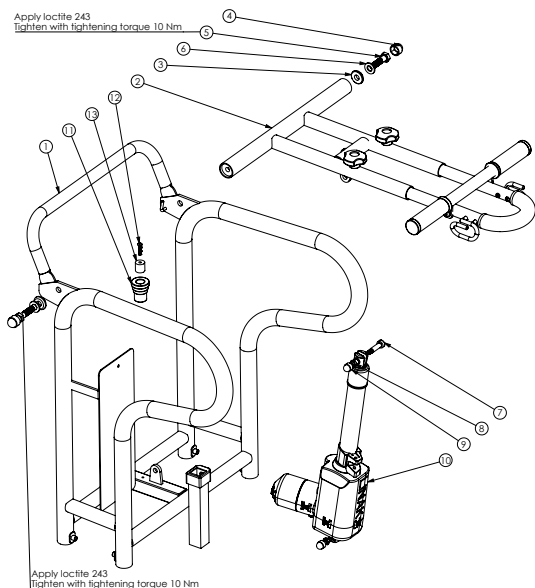
# Exploded view and components - MiniLift160 Classic



ITEM NO.	DOCUMENT NO.	REV.	TITLE	QTY.
1	90035003	01	Lower base welded	1
2	90035013	01	ML125 leg right	1
3	90035012	01	ML125 leg left	1
4	90034942	04	Upper frame Assy	1
5	90034984	02	Footplate holder ML125	1
6	90034985	02	Kneepad holder ML125	1
7	90034012	01	Handwheel with threaded bar ML200	1
8	90035004	01	Leg bearing support	2
9	90034922	01	Screw M6x63 ISO 7380 D3 9 M6x3 2H 1b	2
10	90034923	02	Screw M6x63 ISO 7380 10.9 M6x1 8 1b	2
11	90030401	01	Washer DIN125 10.9x20x2 1b	2
12	90034926	01	Screw M6x63 DIN912 8.8 M10x40 1b	2
13	90035000	01	Screw S655 DIN914 M8x1 8 1b	4
14	90033318	01	Nut cover M4x grey	6
15	90034883	02	Leg spread link arm	1
16	90030883	02	Washer B88 8x4x2x2 1b	1
17	90030026	02	Lock nut DIN955 M8 1b	1
18	90030486	02	Washer DIN125 13x25x2.5 1b	1
19	90030350	02	Nut cover M5x8x6	4
20	90030394	02	Nut M6x1 DIN934 M8 1b	4
21	90031144	01	Actuator LA12 1201 8r 105241X	1
22	90031982	01	Screw M65 DIN931 8.8 M10x35 1b	2
23	90030359	02	Lock nut DIN 985 CL6 M10 1b	1
24	90030460	01	Nut cover M5x10	4
25	90030145	02	Horizontal HB24 4x10mm	1
26	90034882	01	Plastic Padg PVC (HF 25x6 mm)	1
27	90034881	01	Hexagon key 4 mm DN 911	1
28	90034927	00	Fork link DN17125 5 M8x16 (Nibegele)	2
29	90034928	01	Threaded steel rod DN1975 M8x119 1b	1
30	90034927	01	Threaded steel rod DN1975 M8x219 1b	1
31	90031889	04	Lock M8x2 lock screws	1
32	90030484	01	Cap nut DN1587 M5	2
33	90030161	01	Conductor Cable w display LA34	1
34	90030166	02	Battery box CB1 grey (BA11)	1

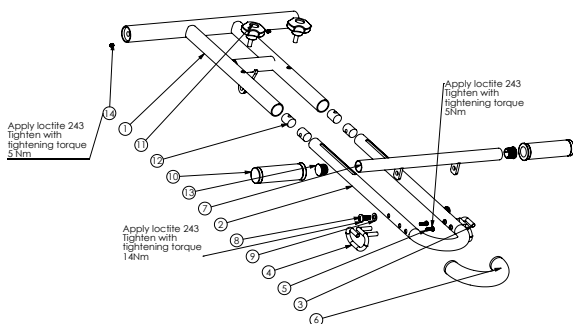
# Exploded view and components

## Upper frame



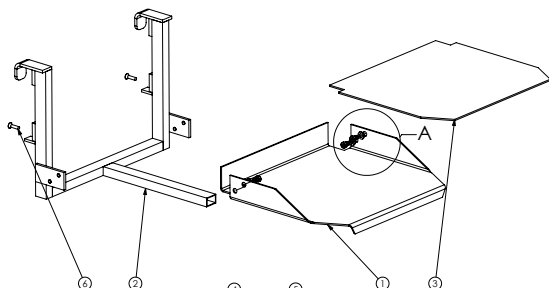
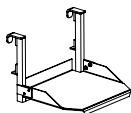
ITEM NO.	DOCUMENT NO.	REV.	TITLE	QTY.
1	90004930	02	Upper frame welded	1
2	90004945	03	Lift arm assy	1
3	90004967	01	Nylon bushing arm pivot	2
4	90000493	02	Nut cover MSM12G	2
5	90005745	01	Screw M4S DIN931 8.8 M1.2x4.5 fzb	2
6	90000486	02	Washer DIN125 13x25x2.5 fzb	2
7	90000351	02	Shoulder bolt ISO7379 [DIN610] 12.9 10xMBx30	2
8	90000606	02	LOCK NUT DIN 985 CLASS 6 MB FZB	2
9	90000330	02	Nut cover M5MBG	2
10	90001657	01	Actuator LA34 ML125/200	1
11	90004969	01	Thermoplastic rubber 18 mm	1
12	90004970	02	Screw K4S ISO7380 8.8 M5x25 fzb	1
13	90004971	01	Bushing Ø20x20	1

## Lift arm



ITEM NO.	DOCUMENT NO.	REV.	TITLE	QTY.
1	90004946	01	Lift arm welded	1
2	90004953	01	Lift arm outer bend	1
3	90004954	02	Sling hook right welded	1
4	90004955	02	Sling hook left welded	1
5	90002490	02	Screw DIN 7985 M8T M5x1.6 8.8 FZB	4
6	90004964	01	Block rubber foam Ø20xØ32x230	1
7	90004959	01	User handlebar welded	2
8	90000467	02	Screw K4S DIN7380 8.8 M8x20 fzb	1
9	90004997	01	Washer DIN125 8.4x16x1.6 Nylon PA natural	2
10	90004965	01	Hand grip black	2
11	90004998	01	Round knob GREY Ø50 M8x20	2
12	90004963	01	Sliding nut Ø20xM8	4
13	90001259	00C	IKP2521-23G	2
14	90004904	02	Screw P4SS DIN913 8.8 M5x10 fzb	2

## Foot plate

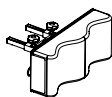


Apply lacite 243  
Tighten with tightening torque 24 Nm

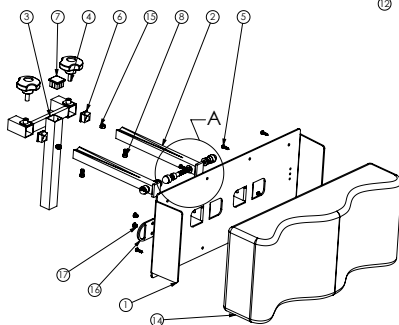
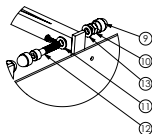
DETAIL A  
SCALE 1 : 2

ITEM NO.	DOCUMENT NO.	REV.	TITLE	QTY.
1	90004973	01	Footplate	1
2	90004974	01	Footplate frame welded	1
3	90004983	01	Rubber surface	1
4	90004071	01	Screw_MC65_DIN7984_8.8_M8x12_fzb	4
5	90004997	01	Washer DIN125 B.4x1.6x1.6 Nylon PA natural	4
6	90000605	02	MFGS DIN 7991 8.8 M6x20 FZB	2

## Leg support

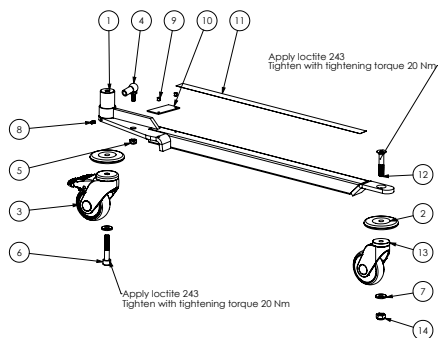
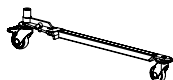


DETAIL A  
SCALE 1 : 3

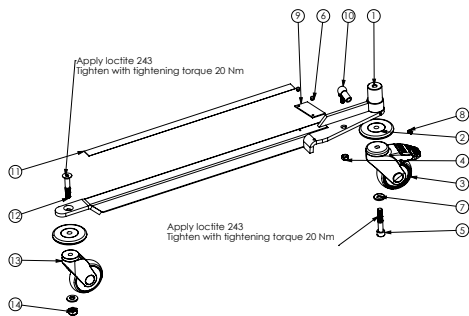
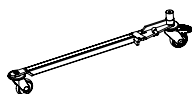


ITEM NO.	DOCUMENT NO.	REV.	TITLE	QTY.
1	90004986	01	Backplate kneepad	1
2	90004988	01	Kneepad square tube welded	2
3	90004987	01	Kneepad T-frame welded	1
4	90004998	01	Round knob BRONZE Ø50 M8x20	2
5	90004079	01	Screw_RX3_DIN7981-C_4.2x16_fzb	8
6	90004994	02	Plastic cover for profile 20x20x1.5 - Grey	2
7	90004995	02	Plastic cover for profile 25x25x1.5 - Grey	1
8	90004996	01	Screw_MC65 DIN7984 8.8 M6x12 fzb	2
9	90000330	02	Nut cover M5MBG	4
10	90000606	02	LOCK NUT DIN 985 CLASS 6 M8 FZB	2
11	90004997	01	Washer DIN125 B.4x1.6x1.6 Nylon PA natural	2
12	90000786	02	Screw MC65 DIN912 8.8 M8x40 fzb	2
13	90000345	04	Washer DIN125 B.4x1.6x1.6 fzb	2
14	90002735	01	Orlon kneepad	1
15	90000155	03	Lock nut DIN985 M6 fzb	2
16	90000805	02	Calf strap plate	2
17	90000859	00	Screw MRX DIN7985 4.8 M5x6 fzb poz	4

## Left and right leg



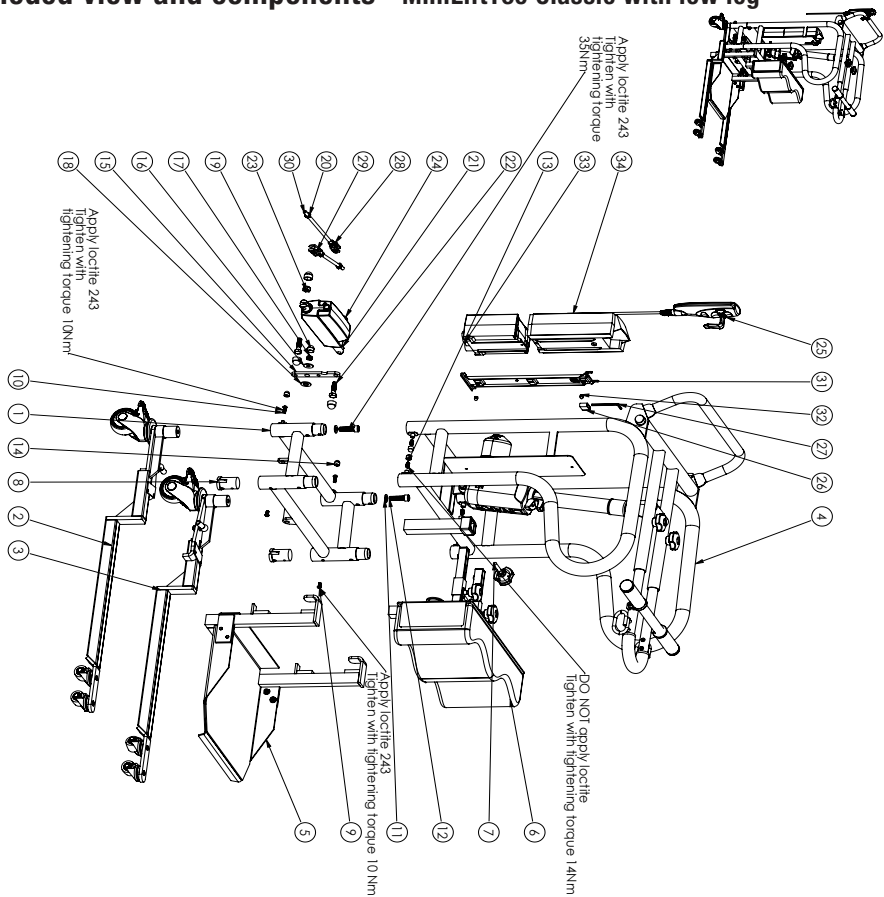
ITEM NO.	DOCUMENT NO.	REV.	TITLE	QTY.
1	90005014	01	M125 leg left welded	1
2	90003460	02	Wheel bumper	2
3	90005001	00	Castor Manner Ø75 with brake GREY	1
4	90000645	01	Ball joint DIN71802 M8	1
5	90000606	02	LOCK NUT DIN 985 CLASS 6 M8 FZB	1
6	90004901	02	Screw MC65 M10x55 8.8 FZB DIN 912	1
7	90004903	02	Spring washer DIN 6796 10.5x23x2.5	2
8	90004904	02	Screw P655 DIN913 8.8 M5x10 fzb	1
9	90004905	01	Rivet d4x10 A2 SSD S4 S3B5 DIN 7337 A	2
10	90004902	01	Bearing support roll plate	1
11	90005019	02	Anti-slip tape adhesive, 22 mm	1
12	90005020	00	Screw MF65 DIN 7991 8.8 M10x55 fzb	1
13	90005018	01	Castor Manner Ø75 w/o brake GREY	1
14	90000539	02	Lock nut DIN 985 CL6 M10 FZB	1



ITEM NO.	DOCUMENT NO.	REV.	TITLE	QTY.
1	90005015	01	M125 leg right welded	1
2	90003460	02	Wheel bumper	2
3	90005001	00	Castor Manner Ø75 with brake GREY	1
4	90000606	02	LOCK NUT DIN 985 CLASS 6 M8 FZB	1
5	90004901	02	Screw MC65 M10x55 8.8 FZB DIN 912	1
6	90004905	01	Rivet d4x10 A2 SSD S4 S3B5 DIN 7337 A	2
7	90004903	02	Spring washer DIN 6796 10.5x23x2.5	2
8	90004904	02	Screw P655 DIN913 8.8 M5x10 fzb	1
9	90004902	01	Bearing support roll plate	1
10	90000645	01	Ball joint DIN71802 M8	1
11	90005019	02	Anti-slip tape adhesive, 22 mm	1
12	90005020	00	Screw MF65 DIN 7991 8.8 M10x55 fzb	1
13	90005018	01	Castor Manner Ø75 w/o brake GREY	1
14	90000539	02	Lock nut DIN 985 CL6 M10 FZB	1



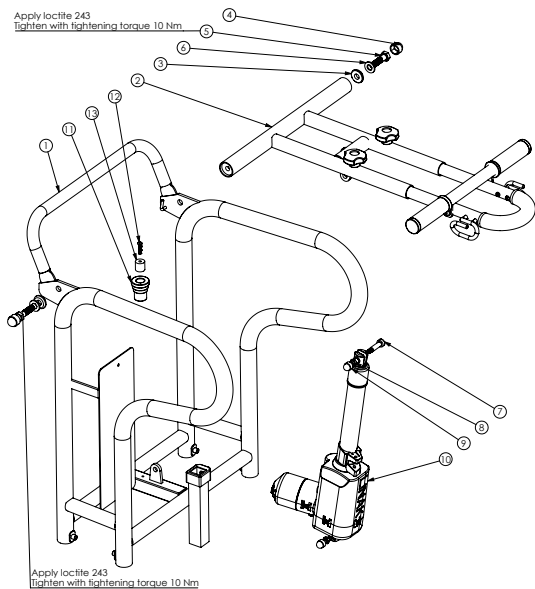
# Exploded view and components - MiniLift160 Classic with low leg



ITEM NO.	DOCUMENT NO.	REV.	TITLE	QTY.
1	90005003	01	Lower beam welded	1
2	90004899	03	ML125LL Low leg right	1
3	90004898	03	ML125LL Low leg left	1
4	90004942	03	Upper frame only	1
5	90004984	02	Footplate holder ML125	1
6	90004985	02	Kneepad holder ML125	1
7	90004612	01	Handrims with treaded bot ML200	1
8	90005004	01	Leg bearing support	2
9	90004922	01	Screw M6x5 ISO 7380 10.9 M6x12H 14b	2
10	90004923	02	Screw M6x5 ISO 7380 10.9 M6x14 14b	2
11	90004601	01	Washer DN125 10.5x20x2 17b	2
12	90004926	01	Screw M6x5 DN125 2.8x10x40 17b	2
13	90005000	01	Screw S65 DN 9.4 M6x14 14b	4
14	90003038	01	Nut cover M6 grey	6
15	90004893	02	Leg spread link arm	1
16	90000823	02	Washer B8 & A2x4x2 17b	1
17	90000606	02	LOCK NUT DN 985 CLASS 6 M8 17b	1
18	90000486	02	Washer DN125 3.2x25.2 17b	1
19	90000350	02	Nut cover M8x8G	1
20	90000354	02	Nut M6x1 DN98x4 M8 17b	4
21	90001144	01	Actuator LA12 120.15x105x24 1x	1
22	90001982	01	Screw M8 DN93 8.8 M10x35 17b	2
23	90000559	02	lock nut DN 985 Cl.6 M10 17b	2
24	90000660	01	Nut cover M8x10	4
25	90003165	02	Handcontrol HB32 4b01ion	1
26	90004882	01	Plastic plug PVC (L-FRP 25x5 mm)	1
27	90004981	01	Hexagon key 4 mm DN 911	1
28	90004927	00	Fork link DN 1725 5 M6x14 (Wibergel)	2
29	90004928	01	Treaded steering DN 975 M8x19 17b	1
30	90004929	01	Treaded steering DN 975 M8x219 17b	1
31	90001899	04	lock M8x2 incl. screws	1
32	90004984	01	Cap nut DN1 987 M5	2
33	90003161	01	Control box CB3Core w. display LA44	1
34	90003166	02	BA11003-001 (Battery box CB1 grey, BA11)	1

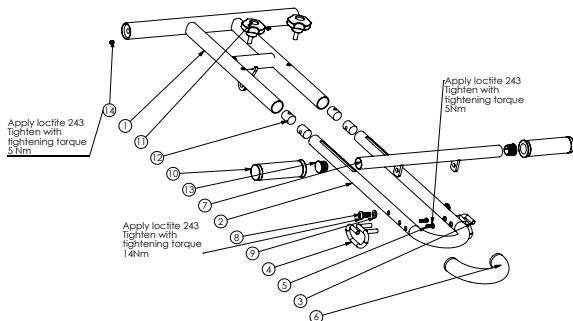
# Exploded view and components

## Upper frame



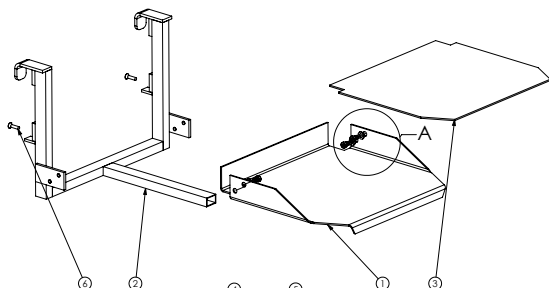
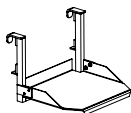
ITEM NO.	DOCUMENT NO.	REV.	TITLE	QTY.
1	90004930	01	Upper frame welded	1
2	90004945	03	Lift arm assy	1
3	90004947	01	Nylon bushing arm pivot	2
4	90000493	02	Nut cover MSM12G	2
5	90005765	01	Screw M45 DIN931 8.8 M12x45 fzb	2
6	90000486	02	Washer DIN125 13x25x2.5 fzb	2
7	90000351	02	Shoulder bolt ISO7379 (DIN410) 12.9 10xMBx30	2
8	90000606	02	LOCK NUT DIN 985 CLASS 6 MB FZB	2
9	90000330	02	Nut cover MSM8G	2
10	90001657	01	Actuator LA34 ML125/200	1
11	90004969	01	Thermoplastic rubber 18 mm	1
12	90004970	02	Screw K45 ISO7380 8.8 M5x25 fzb	1
13	90004971	01	Bushing Ø20x20	1

## Lift arm



ITEM NO.	DOCUMENT NO.	REV.	TITLE	QTY.
1	90004946	01	Lift arm welded	1
2	90004953	01	Lift arm outer bend	1
3	90004954	02	Sling hook right welded	1
4	90004955	02	Sling hook left welded	1
5	90002490	02	Screw DIN 7985 MRT M5x16 8.8 FZB	4
6	90004964	01	Black rubber foam Ø20xØ32x230	1
7	90004959	01	User handlebar welded	2
8	90000467	02	Screw K45 DIN7380 8.8 MBx20 fzb	1
9	90004997	01	Washer DIN125 8.4x16x1.6 Nylon PA natural	2
10	90004965	01	Hand grip black	2
11	90004998	01	Round knob GREY Ø50 MBx20	2
12	90004943	01	Sliding nut Ø20xM8	4
13	90001259	00C	IKP2521-23G	2
14	90004904	02	Screw P45S DIN913 8.8 M5x10 fzb	2

## Foot plate

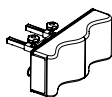


Apply lacite 243  
Tighten with tightening torque 24 Nm

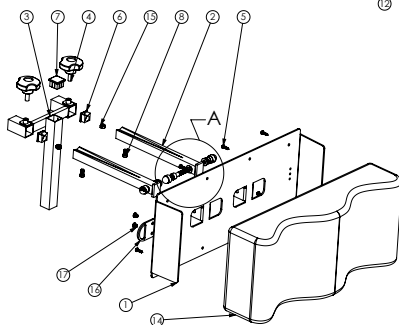
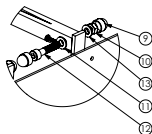
DETAIL A  
SCALE 1 : 2

ITEM NO.	DOCUMENT NO.	REV.	TITLE	QTY.
1	90004973	01	Footplate	1
2	90004974	01	Footplate frame welded	1
3	90004983	01	Rubber surface	1
4	90004071	01	Screw_MC65_DIN7984_8.8_M8x12_fzb	4
5	90004997	01	Washer DIN125 B.4x1.6x1.6 Nylon PA natural	4
6	90000605	02	MFGS DIN 7991 8.8 M6x20 FZB	2

## Leg support

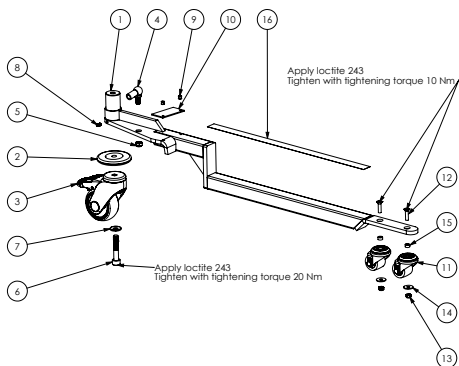
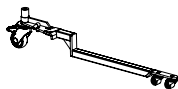


DETAIL A  
SCALE 1 : 3

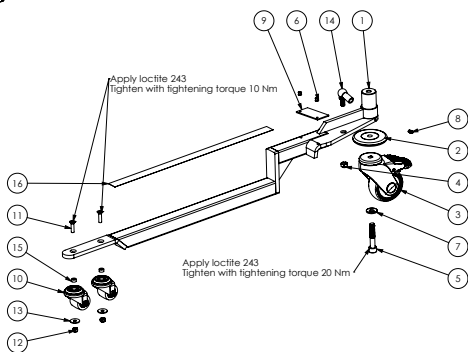
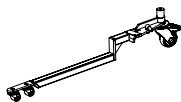


ITEM NO.	DOCUMENT NO.	REV.	TITLE	QTY.
1	90004986	01	Backplate kneepad	1
2	90004988	01	Kneepad square tube welded	2
3	90004987	01	Kneepad T-frame welded	1
4	90004998	01	Round knob GREY Ø50 M8x20	2
5	90004079	01	Screw_RX3_DIN7981-C_4,2x16_fzb	8
6	90004994	02	Plastic cover for profile 20x20x1.5 - Grey	2
7	90004995	02	Plastic cover for profile 25x25x1.5 - Grey	1
8	90004996	01	Screw MC65 DIN7984 8.8 M6x12 fzb	2
9	90000330	02	Nut cover M5MBG	4
10	90000606	02	LOCK NUT DIN 985 CLASS 6 M8 FZB	2
11	90004997	01	Washer DIN125 B.4x1.6x1.6 Nylon PA natural	2
12	90000786	02	Screw MC65 DIN912 8.8 M8x40 fzb	2
13	90000345	04	Washer DIN125 B.4x1.6x1.6 fzb	2
14	90002735	01	Orlon kneepad	1
15	90000155	03	Lock nut DIN985 M6 fzb	2
16	90000805	02	Calf strap plate	2
17	90000859	00	Screw MRX DIN7985 4.8 M5x6 fzb poz	4

# Left and right leg





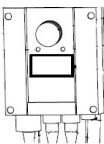

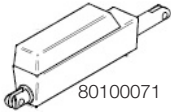

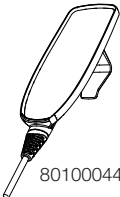
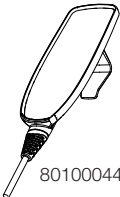





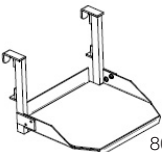
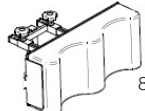


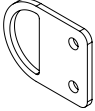
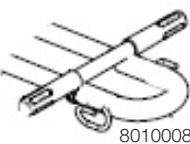
ITEM NO.	DOCUMENT NO.	REV.	TITLE	QTY.
1	90004889	01	ML12SL Leg welded left	1
2	90003460	02	Wheel bumper	1
3	90004900	01	Castor Manner Ø75 with brake	1
4	90000645	01	Ball joint DIN71802 M8	1
5	90000606	02	LOCK NUT DIN 985 CLASS 6 M8 FZB	1
6	90004901	02	Screw MC65 M10x55 8.8 FZB DIN 912	1
7	90004903	02	Spring washer DIN 6796 10.5x23x2.5	1
8	90004904	02	Screw P655 DIN913 8.8 M5x10 fzb	1
9	90004905	01	Rivet d4x10 A2 SSD S4 S385 DIN 7337 A	2
10	90004902	01	Bearing support roll plate	1
11	90001650	01	Wheel Blicke LRA-V5TH 35K	2
12	90000605	02	MF65 DIN 7991 8.8 M6x20 FZB	2
13	90000155	03	Lock nut DIN985 M6 fzb	2
14	90000423	02	Washer BN732 6.4x20x1.5 fzb	2
15	90004920	02	Spacer 6.2x10x5 PA-66 Skilly 005 4900 000 02	2
16	90005006	01	Anti-slip tape adhesive, 22 mm	1



2	90003460	02	Wheel bumper	1
3	90004900	01	Castor Manner Ø75 with brake	1
4	90000606	02	LOCK NUT DIN 985 CLASS 6 M8 FZB	1
5	90004901	02	Screw MC65 M10x55 8.8 FZB DIN 912	1
6	90004905	01	Rivet d4x10 A2 SSD S4 S385 DIN 7337 A	2
7	90004903	02	Spring washer DIN 6796 10.5x23x2.5	1
8	90004904	02	Screw P655 DIN913 8.8 M5x10 fzb	1
9	90004902	01	Bearing support roll plate	1
10	90001650	01	Wheel Blicke LRA-V5TH 35K	2
11	90000605	02	MF65 DIN 7991 8.8 M6x20 FZB	2
12	90000155	03	Lock nut DIN985 M6 fzb	2
13	90000423	02	Washer BN732 6.4x20x1.5 fzb	2
14	90000645	01	Ball joint DIN71802 M8	1
15	90004920	02	Spacer 6.2x10x5 PA-66 Skilly 005 4900 000 02	2
16	90005006	01	Anti-slip tape adhesive, 22 mm	1

# Spare part list

Article no.	Product	Unit	Components	Parts
80100045	Cable for charger US	1 pce	1 x Cable for charger	
80100046	Cable for charger UK	1 pce	1 x Cable for charger	80100048
80100047	Cable for charger AUS	1 pce	1 x Cable for charger	
80100048	Cable for charger EU	1 pce	1 x Cable for charger	
80100041	Actuator mast LA34	1 set	2 x Locking nut M8 1 x Actuator LA34 mast 0,5 x Card board	 80100041
80100042	Control box CBJ	1 pce	1 x Control box	
80100043	Battery box CBJ	1 set	1 x Battery box CBJ 1 x Aircap bag	
80100057	Battery CBJ	1 pair	2 x Batteries	80100042 80100043
80100071	Actuator LA 12 legspreading	1 pce	1 x Actuator LA 12 2 x Locking nut	 80100071
80100072	Actuator LA31-L4 mast	1 set	1 x Actuator LA31-L4 mast 2 x Locking nut 0,5 x Cardboard	 80100072
80100044	Hand control 4-buttons	1 pce	1 x Hand control 4-buttons	
80100130	Hand control Tester Linak	1 pce		 80100044

Article no.	Product	Unit	Components	Parts
80100049	Front castor 80mm	1 pce	1 x Castor 80 mm 1 x Locking nut M10	 80100049
80100073	Rear castor kit	1 pce	1 x Castor w brake	 80100073
80100074	Bumper kit 80 mm	1 set	4 x Rubber bumper	 80100074
80100075	Footplate complete 125	1 pce	1 x Footplate holder mounted	 80100075
80100076	Knee pad softmodel complete 125	1 pce	1 x Knee pad holder	 80100076
80100077	Locking handle knee pad set	1 set	2 x handle	 80100077
80100078	Locking handle 125	1 set	2 x round knob black	 80100078
80100070	Leg strap plate kit	1 set	2 x Leg strap plate 4 x Screw	 80100070
80100083	Lifting arm front part 125	1 pce	2 x Bright steel compressed 1 x U-tube 1 x Sling hook left 1 x Sling hook right 1 x Handgrips lifting arm 2 x Plastic cap 4 x Screw DIN 7985 2 x Washer 2 x Screw M8 2 x Handle black 1 x Foam grip	 80100083

# Changing spare parts

## **80100041 Actuator mast LA34**

Lower the boom to the lowest position. Activate the emergency stop. Disconnect the actuator from the control box. Loosen the nut and pull the screw out; then, loosen the screw and nut on the lower end of the actuator. Lift the boom and remove the actuator. Install the new actuator. Start by fitting the lower end, and then lift the boom and fit the upper end. Secure the actuator with the existing screws and the new, accompanying lock nuts. Connect the actuator to the control box.

## **80100042 Control box CBJ**

Activate the emergency stop, and then disconnect the actuator and hand control. Remove the battery, loosen the long screw and remove the control box. Install the new control box and secure it with the screw. Replace the battery, and then connect the actuator and hand control.

## **80100043 Battery box CBJ**

Remove the battery by lifting it straight up and out of the holder in the control box. Install the new battery in the holder. Note! The battery must be charged for at least four hours before it is used for the first time.

## **80100044 Hand control 4-button**

Activate the emergency stop, and then disconnect the hand control. Connect the new hand control.

## **80100045, -46, -47, -48,**

Connect the charger cable to the control box, and then plug it into a wall socket.

## **80100049 Front castor kit 80mm**

Using an Allen key, remove the screw. Replace the castor, apply Loctite 243 or similar, and then secure the castor with the screw.

## **80100057 Battery CBJ**

Remove the lift battery and remove the screws. Disconnect the battery contacts and remove the batteries. Install the new batteries in the battery box and connect the contacts. Place the cover on the box and secure it with the screws. Note! The battery must be charged for at least four hours before it is used for the first time.

## **80100070 Leg strap plate kit**

Remove the screws on either side of the lower-leg support/knee pad. Replace the leg strap plate and secure it with the accompanying screws.

## **80100071 Actuator LA 12 base-width adjustment**

Run the actuator until the legs are drawn in fully. Activate emergency stop. Disconnect the actuator from the control box. Remove the screw covers. Loosen and remove the screw that holds the actuator to the leg. Remove the screw covers and loosen the screw and nut on the other side of the actuator. Remove the actuator. Install the new actuator; start by securing the end that is secured to the leg. Use the accompanying lock nut. Then, secure the side that is connected to the hinge mount. Use the accompanying lock nut. Replace the screw covers. Connect the actuator to the control box.

**80100072 Actuator LA31-L4 mast**

Lower the boom to the lowest position. Activate the emergency stop. Disconnect the actuator from the control box. Loosen the nut and pull the screw out; then, loosen the screw and nut on the lower end of the actuator. Lift the boom and remove the actuator. Install the new actuator. Start by fitting the lower end, and then lift the boom and fit the upper end. Secure the actuator with the existing screws and the new, accompanying lock nuts. Connect the actuator to the control box.

**80100073 Rear castor kit 80mm**

Using an Allen key, remove the screw. Replace the castor, apply Loctite 2701 or similar, and then secure the castor with the screw.

**80100074 Bumper kit**

Remove the castors and remove the bumper. Install the new bumper and castors.

**80100075 Footplate complete 125**

Remove the old footplate and install the new one.

**80100076 Knee pad soft model complete 125**

Loosen the two screws that hold the covers in place on the ends of the two square tubes. Loosen the two lower locking handles and pull the knee pad straight out to remove it. Insert the new knee pad in the tube and tighten the two locking handles. Secure the covers with the two screws.

**80100077 Locking handle knee pad set**

Unscrew the old handle and install the new one.

**80100078 Locking handle 125**

Unscrew the old handle and install the new one.

**80100083 Lifting arm front part 125**

Unscrew the two locking handles on the topside of the boom/lifting arm. Pull the handle out. Insert the new boom in the tube and replace and tighten the two locking handles.

**80100130 Hand control tester Linak**

Follow the accompanying instructions.

**80100148 Control box CBJC MiniLift125**

Activate the emergency stop, and then disconnect the actuator and hand control. Remove the battery, loosen the long screw and remove the control box. Install the new control box and secure it with the screw. Replace the battery, and then connect the actuator and hand control.

**80100156 Hand control HB32-4**

Activate the emergency stop, and then disconnect the hand control. Connect the new hand control.

**80100161 Battery box CBJ Grey BAJ1**

Remove the battery by lifting it straight up and out of the holder in the control box. Install the new battery in the holder. Note! The battery must be charged for at least four hours before it is used for the first time.



# Periodic inspection - protocol

Lift type:  
s/n:  
Version:  
Prod. year:  
Sling bar id.:

Contract no:  
Name:  
Address:  
  
Situation of use: Home      Institution      Other

**Comments: 1. Attention 2. Correct 3. Do not use!**

**Base:**

<input type="checkbox"/>	<input type="checkbox"/>	Check for visible damage
--------------------------	--------------------------	--------------------------

Check:

A	<input type="checkbox"/>	Castor
---	--------------------------	--------

B	<input type="checkbox"/>	Brakes
---	--------------------------	--------

C	<input type="checkbox"/>	Screws
---	--------------------------	--------

**Mast:**

<input type="checkbox"/>	<input type="checkbox"/>	Inspect the mast
--------------------------	--------------------------	------------------

Check:

D	<input type="checkbox"/>	Screws
---	--------------------------	--------

E	<input type="checkbox"/>	Lift arm hardware etc
---	--------------------------	-----------------------

F	<input type="checkbox"/>	Link
---	--------------------------	------

G	<input type="checkbox"/>	Slingbar and the function of the safety latches
---	--------------------------	---

H	<input type="checkbox"/>	Mast actuator
---	--------------------------	---------------

I	<input type="checkbox"/>	Battery and cable installations
---	--------------------------	---------------------------------

J	<input type="checkbox"/>	Hand control
---	--------------------------	--------------

K	<input type="checkbox"/>	Emergency stop
---	--------------------------	----------------

L	<input type="checkbox"/>	Emergency lowering
---	--------------------------	--------------------

M	<input type="checkbox"/>	Charging
---	--------------------------	----------

N	<input type="checkbox"/>	Product label
---	--------------------------	---------------

**Test of safe working load:**

<input type="checkbox"/>	<input type="checkbox"/>	Safe working load test mast
--------------------------	--------------------------	-----------------------------

<input type="checkbox"/>	<input type="checkbox"/>	Safe working load test base
--------------------------	--------------------------	-----------------------------

<input type="checkbox"/>	<input type="checkbox"/>	Mechanical emergency lowering
--------------------------	--------------------------	-------------------------------

**Accessories:**

**Documentation:**

<input type="checkbox"/>	<input type="checkbox"/>	Instructions / manuals
--------------------------	--------------------------	------------------------

**Control box:**

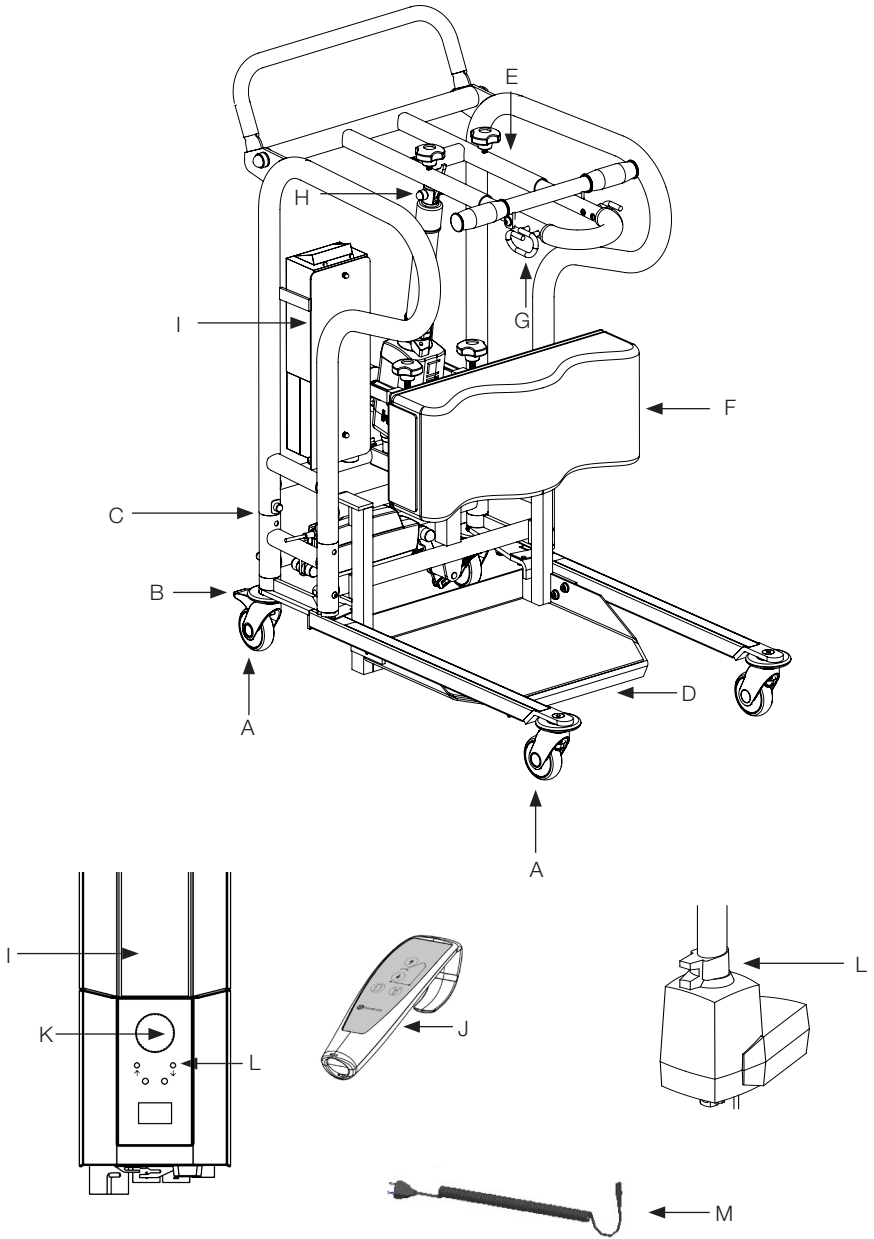
<input type="checkbox"/>	<input type="checkbox"/>	Reset the control box service counter
--------------------------	--------------------------	---------------------------------------

Date:  
Load test weight:

Serviced by:

**In accordance with ISO 10535:2006 Annex B-Periodic inspection**

# Description for periodic inspection



## Periodic inspection - instruction

### Base

-Check the base for visible damage to the surfaces, finish, etc.

### Castors

-Roll the lift unloaded on the floor, check that the castors roll and turn freely.

-Check that the castor fasteners are tight.

### Brakes

-Lock the brakes. Check that the castors do not turn when the lift is pushed.

### Screws and joints

-Check screws and ball joints, and listen for peculiar noises and vibrations.

### Mast

-Check the mast for visible damage to the surfaces, finish etc.

-Check screws, nuts, bolts etc.

### Footplate

-Check the footplate for visible damage to the surfaces, finish, etc. Make sure it is correctly assembled.

### Liftarm, hardware

-Check the liftarm for visible damage to the surfaces, finish etc.

-Check screws, nuts, bolts etc.

### Kneepad

-Check the kneepad for visible damage to the surfaces, finish, etc. Make sure it is correctly assembled.

### Slingbar and safety latch function

-Check to ensure that there is no visible wear or damage.

- Check the function of the safety latches.

### Mast actuator

-Verify that the upper and lower actuator fasteners to the mast are tight.

-Visual inspection.

-Check of abnormal noise level.

### Battery and cable installations

- Check battery and electrical cable.

- Verify that all cables are properly inserted.

### Handset

-Verify that all functions on the handset are working.

### Emergency stop

-Verify that the lift does not operate when emergency stop is pressed in.

### Emergency lowering

-Verify the function of emergency lowering.

### Charging

-Verify that charging is operating. Yellow lamp on the controllbox should light up when charging.

### Product label

- Check the serial number so that the label is there and readable. Note the serial number on the protocol.

### Test loading

Test loading of MiniLift160 Classic is done with 120 kg weight, which corresponds to a patient weight of 160 kg.

#### *Test loading with loose weights*

NOTE! Both hooks must bear the weight. When one weight is used, the weight must be distributed over both hooks. Ensure that the weight pack is well clear of the actuator. Weights must be attached to the hooks as shown in picture.

Remove the lower-leg support and footrest before test loading; this allows more space for the weight that is to be lifted.

NOTE! Replace the lower-leg support and footrest after test loading.

#### *Move the boom to the outermost position and apply 120 kg.*

- Run the actuator 160 mm up/down as shown in picture. The boom is loaded with 120 kg and placed in the outermost position.

Listen for unusual sounds during raising/lowering.

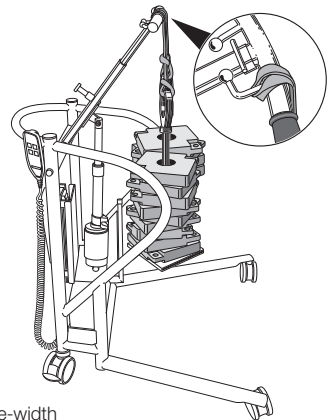
#### *Connector hooks*

- Lift up to 120 kg clear of the floor and wait for 20 sec.

NOTE! Load the hooks according to picture.

#### *The base is loaded with 160 kg.*

- Place 160 kg on the footrest, within the frame for foot placement. Run the base-width adjustment in/out and listen for unusual sounds.



### Mechanical emergency lowering

-Verify the function of emergency lowering.

### Documentation

- Check that the manual is available and up-to-date.

### Accessories

-Check the accessories to the lift.

**To reset the service counters press both lift buttons on the hand control at the same time for 5 seconds.**

**An audio signal will indicate that the timer has been reset.**



# Maintenance

The lift must undergo thorough inspection at least once per year. Inspection must be performed by authorized personnel and in accordance with Handicare's service manual.

Repairs and maintenance may only be done by authorized personnel using original spare parts.



Used batteries are to be left at the nearest recycling station. Used batteries can also be returned to Handicare or a Handicare dealer for recycling.

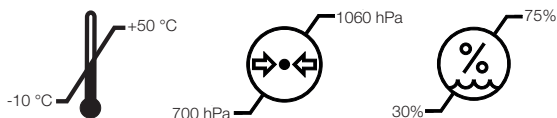
## Cleaning/disinfection

If necessary, clean the lift with warm water or a soap solution and check that the castors are free from dirt and hair. Do not use cleaning agents containing phenol or chlorine, as this could damage the aluminium and the plastic materials. If disinfection is needed, 70 % ethanol, 45 % isopropanol or similar should be used.

## Storage and transportation

If the lift is not to be used for some time or e.g., during transport, we recommend that the emergency stop button be pressed in. The hoist should be transported and stored in  $-10^{\circ}\text{C}$  to  $+50^{\circ}\text{C}$  and in normal humidity, 30% -75 %.








The air pressure should be between 700 and 1060 hPa. Let the hoist reach room temperature before the batteries are charged or the hoist is used.



## Service agreements

Handicare offers the possibility of service agreements for maintenance and regular testing of your mobile lift. Contact your local Handicare representative.

## Symbols

	Read user manual
	May not be discarded in domestic waste
	The product complies with the requirements of the Medical Devices Directive 93/42/EEC.
	Type B, according to the degree of protection against electric shock.
	The device is intended for indoor use.
	Class II equipment
	Always Read The User Manual

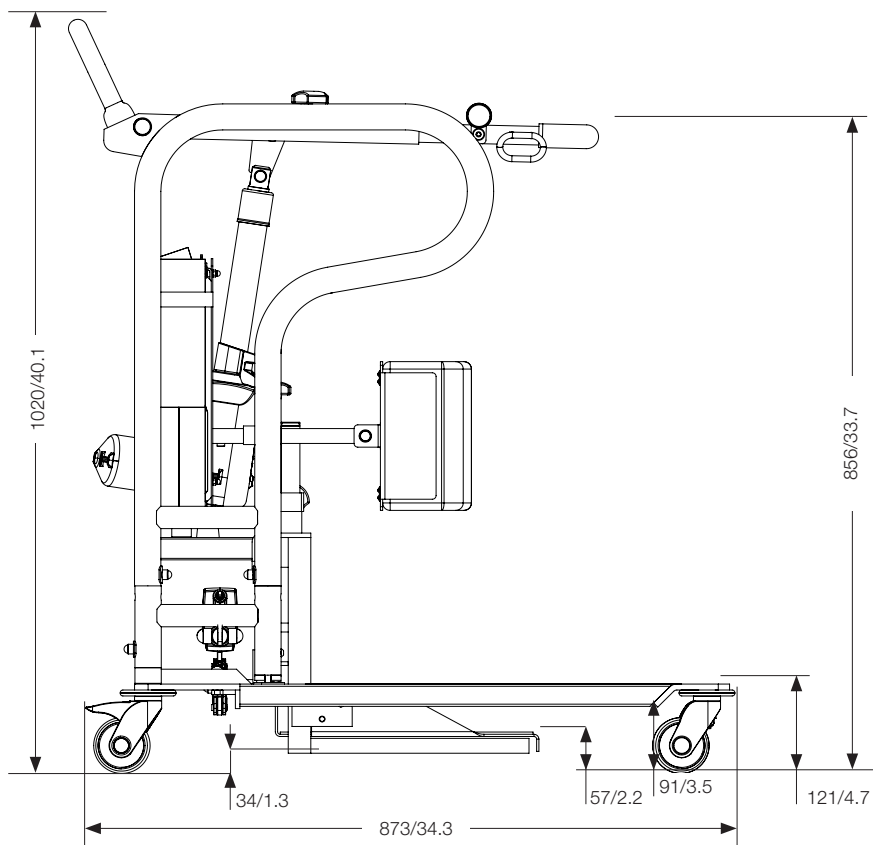
## Technical Information

<b>Lifting speed</b>	35 mm/s without load.
<b>Batteries</b>	Two 12V, 2.9 Ah valve-regulated, sealed, lead accumulator (gel-type batteries)
<b>Charger</b>	Max. 400mA
<b>Motor (mast)</b>	DC 24 V, 10.5 Ah. Operating time: 10% maximum continuous operation for 2 minutes Push: 7500N.
<b>Motor (base)</b>	DC 24 V, 12.3 Ah. Operating time: 10% maximum continuous operation for 2 minutes Push: 2000N.
<b>Sound level</b>	55.8 dB(A)
<b>Material</b>	Steel
<b>Emergency lowering</b>	Manual and electrical
<b>Castors</b>	Front 3,1", 80 mm, back 3,1", 80 mm
<b>Weight</b>	39 kg/86 lbs
<b>Weight loose parts (Foot plate)</b>	5 kg / 11 lbs
<b>Footplate, measurement</b>	390 x 345 mm / 15.3 x 13.5
<b>Number of lifts per charge</b>	20-25
<b>IP class</b>	IP X4
<b>Expected lifetime</b>	10 years
<b>Operating forces buttons on hand control</b>	4 N
<b>Max. load</b>	160 kg/ 352 lbs

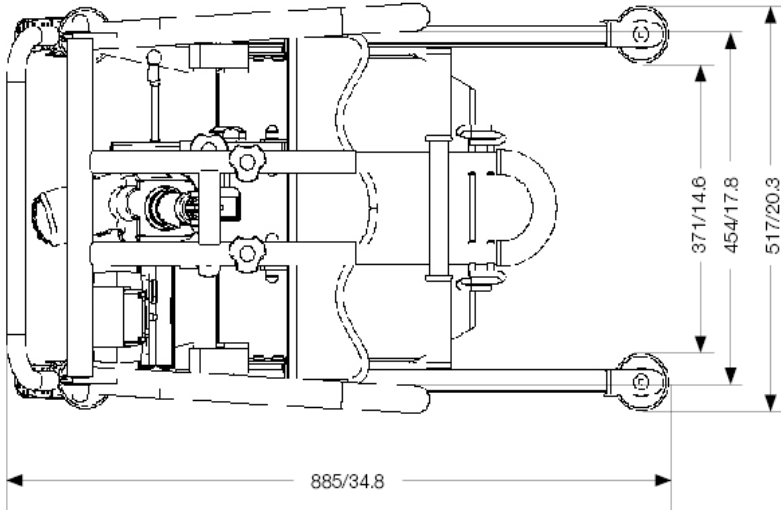
Medical Device Class I. The product complies with the requirements of the Medical Devices Directive 93/42/EEC.

# Dimensions MiniLift160 Classic

All measurement are in mm/inch  
Tolerance +/- 5 mm/ 0.2"



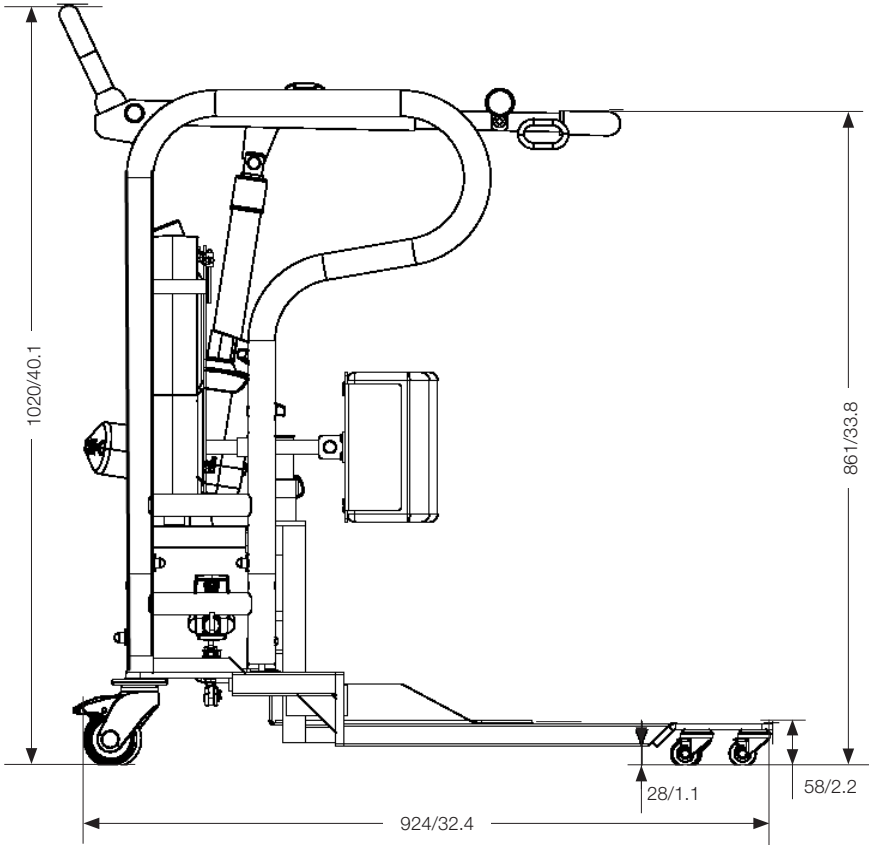
All measurement are in mm/inch  
Tolerance +/- 5 mm/ 0.2"



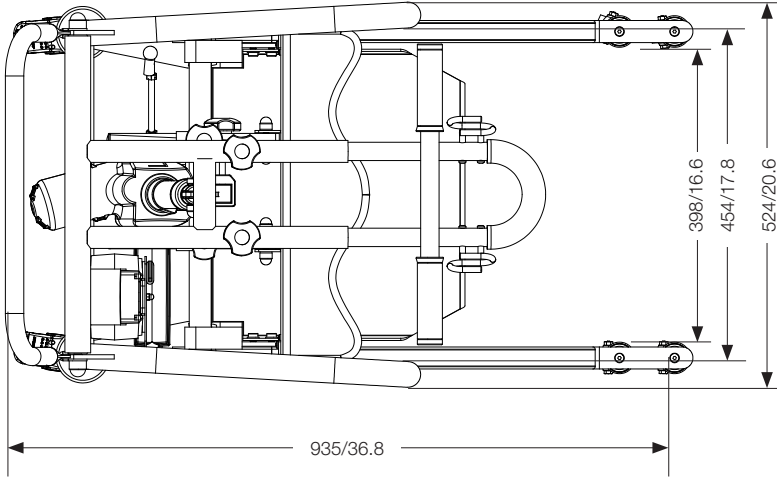


# Dimensions MiniLift160 Classic, with low legs

All measurement are in mm/inch  
Tolerance +/- 5 mm/ 0.2"



All measurement are in mm/inch  
Tolerance +/- 5 mm/ 0.2"





## Simple solutions for great results

Handicare offers a unique easy transfer concept, the market's widest and most comprehensive range of clever, easy-to-use and safe transfer and lifting aids designed to make life easier, both for the user and for the caregiver. We have a complete solution that provides for the majority of patient transfer or manual handling requirements. From the simplest to the most complex scenarios, from the lightest to the heaviest. The concept encompasses assistive devices for four different categories of transfers:

- Transfer, assistive devices for manual transfers of users between two locations.
- Positioning, assistive devices for manual repositioning of users within the same location.
- Support, assistive devices for mobility support e.g., during sit-to-stand or gait training.
- Lifting, assistive devices for manual and mechanical lifting of users.

## Improved work environment, improved quality of care and cost savings

The Handicare patient transfer product range is focused on the prevention and reduction of occupational injuries while allowing users to experience a greater sense of independence and dignity. Through a unique combination of training and a complete range of efficient transfer aids, Handicare offers improvement of both work environment and quality of care and, at the same time, achieves significant cost savings.

## Always make sure that you have the correct version of the manual

The most recent version of all manuals are available for downloading from our website; [www.handicare.com](http://www.handicare.com).

## For questions about the product and its use

Please contact your local Handicare representative. A complete list of all our partners with their contact details can be found on our website; [www.handicare.com](http://www.handicare.com).

## Handicare offers solutions and support to increase the independence of disabled or elderly people as well as to improve the convenience of those who are caring for them.

*The Handicare Group is one of the leading healthcare companies in Europe with its own manufacturing organizations and sales companies in Norway, Sweden, Denmark, Germany, the Netherlands, Great Britain, France, China, Canada and the USA. Handicare's products are also distributed by partners in more than 40 countries worldwide. Our wide range of high-quality products includes a complete easy transfer system and other patient handling aids, stairlifts, car adaptations and bathing and toileting products.*