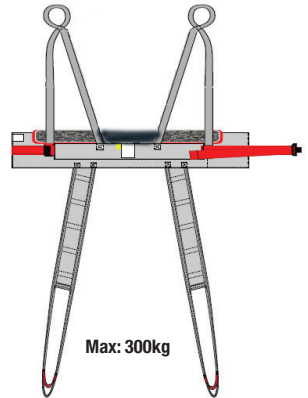


Patient's name: _____

Social insurance number: _____

HygieneLBSling is easy to apply and facilitates dressing/undressing of the patient in connection with visits to the toilet. It features leg sections, which means that the patient does not sit on the sling. Instead, the sling provides support behind the back, up over the head and under the legs. HygieneLBSling is designed for most lifting situations that involve dressing and undressing of the patient.



Functional inspection

Visual and mechanical inspection

Check the condition and function of the sling regularly. Always inspect the product after laundering. Check to ensure that seams and material are free from damage. Check to ensure that fabric is not worn or faded. Apply load to the device and check to ensure that clasps, handles, etc. withstand heavy load. If there are signs of wear, the product must be discarded.

Which size is used?

XX-Small X-Small Small Medium Large X-Large XX-Large

Which material is used?

Polyester

Accessories

SoftLegSupport AdjustmentLoop StrapsPadding

Which slingbar is used?

Leg support placement:



Crossed



Overlapped

Instructions for use

Can the sling be left under the patient in the wheelchair? Yes No

Can the sling be used for transfers to/from the toilet? Yes No

Can the sling be used in showering situations? Yes No

Loop alternatives/AdjustmentLoop: _____

Have staff that use the assistive device:

Read the instructions? Yes No

Received practical instruction in patient transfers? Yes No

Instructions to personnel:

e.g.; Raise the bed side rail on the side towards which the patient is to be turned. Placement of head/ arms/hands?
Placement of legs/feet? Use bed functions.

Number of caregivers: _____

Instructions to patient:

e.g.; In what way can the patient participate actively in the transfer situation? Which instructions are used?

Other:

Trial-fitted by:

Date: _____

Phone: _____

Phone: _____

Handicare AB
Veddestav. 15, Box 640
SE-175 27 Järfälla
SWEDEN

Tel: +46 (0)8-557 62 200
Fax: +46 (0)8-557 62 299
E-mail: info@handicare.se

Internet: www.handicare.com

In the events of changes or questions, contact the trial-fitter.

Manuals and instructions for functional testing are
available on Handicare's website www.handicare.com

