

Inspection and repair for MiniLift 200, article number 401100334: Bolt loosening check

Inspection:

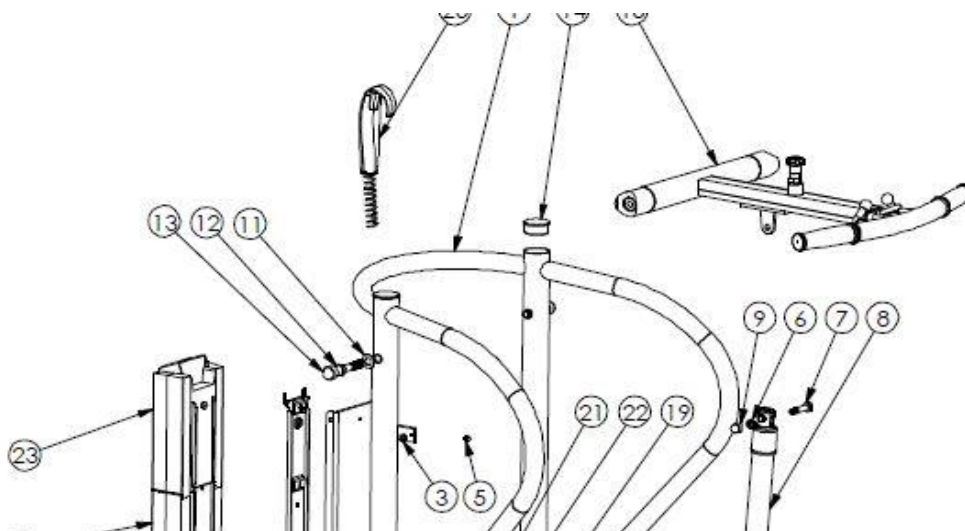
Remove the Plastic cover (13) from the bolt head (12).

Check if the washer (11) can be rotated by hand. If the washer (11) **“cannot”** be moved, then reinstall the plastic cover (13) again and no other action is required. If the washer (11) **“can”** be moved, then proceed to repair.

Repair:

Order the repair kit # 80190033

Remove the bolt (12) and washer (11) from the lift and discard. Install new bolt (12) with washer (11) and Apply **“Loctite 243”** to the threads. Torque the new bolt (12) with washer (11) to **40Nm**. Reinstall the plastic bolt cover (13). Let Loctite set for min 24 hours before using the lift. Repair procedure is complete. Bolt loosening check completed.



Parts needed: Kit # 80190033, consist of following parts:

2x PN# 90005772, Screw M6S DIN931 8.8 M12x65 fzb – with head marked in blue paint.

2x PN# 90004085, Washer DIN125 13x25x2,5

2x PN# 90000493 02 Nut cover MSM12G5ml Loctite 243