

Direct Healthcare Group

Advancing Movement & Health®

Specialist Seating Product Range

Specialist Seating

Riser Recliners



Direct Healthcare Group

Advancing Movement & Health[®]

WE ALL NEED TO MOVE TO LIVE.

HUMAN MOVEMENT IS FUNDAMENTAL TO OUR HEALTH AND QUALITY OF LIFE.

Direct Healthcare Group uniquely enables the healthcare challenges associated with reduced patient movement to be anticipated, managed and, in many cases, resolved to support care providers and patients.

All leading to better health outcomes, accelerated recovery and easier daily living.

Direct Healthcare
Services

Intelligent Pressure Care



Specialist Seating



Rental & Service Solutions



Duo Range

Product Code: Duo Major - SEA0211001
 Duo Minor - SEA0311001
 Duo Mini - SEA0411001

SWL: Major/Minor - 160kg/25 stone, Mini - 57kg/9 stone

The Duo family of multi-positioning seating systems comprises the Duo Major, Duo Minor and Duo Mini.

Their dynamic features provide the ultimate in positioning and postural management for those who are at risk of developing an unconventional body shape, unable to maintain a midline position and require additional support.

The adjustability of the Duo range ensures the core principles of seating are met in terms of correct seat height, seat depth, seat width, arm height and back height combined with key features like headrest angle adjustment, back angle recline, tilt-in-space and legrest elevation to create a supportive, yet comfortable seating solution.

Pressure relief can be integrated into the Duo chairs including the Intelligent Air integral cushion for those at Very High Risk or with a Grade IV pressure injury. Alternatively the Duo enables the user to integrate their own pressure relieving cushion into the seat module of the chair or apply it to a flat seat board upon which it can be effectively used.



Manual



Powered



Regulated Motion



Tilt-in-Space



Back Angle Recline



Articulating Legrest



Seat Height Adjustment*

PRODUCT DETAILS

Features & Benefits

- Three chair sizes: Major, Minor and Mini
- Adjustable seat length, seat width, seat height*, back height, foot board and arm height
- Simple, tool-free adjustments
- Tilt-in-space action - Manual, Powered or Regulated Motion
- Articulating legrest - Manual or Powered
- Articulating legrest action - does not compromise footboard positioning
- Split-wing shoulder support for adjustable support of the head and shoulders
- Adjustable headrest for precise positioning of the head
- Two back style options: Waterfall or Sculpted
- Multi-directional stretch, breathable Dartex fabric on all user contact surfaces
- Easy-to-use handset on Powered and Regulated Motion models
- Push handle
- Strong, durable 100mm single wheels, rear braked
- Modular construction enables easy refurbishment

Accessories

- Lateral supports
- Leg laterals
- Pommel
- Negative angle legrest
- Flat seat board
- Foot sandals
- Ankle huggers
- Lap-belt with D-ring straps
- Pelvic positioner with D-ring straps
- Universal mobile tray

Pressure Relieving Seat Modules (Integral)

- Reflexion™ foam
- Dyna-Tek® Intelligent Air

*Available in Powered and Regulated Motion only.

G-2

Product Code: SEA0111001

SWL: 180kg/28 stone

Representing a new generation of dynamic specialist chairs and underpinned by scientific bio-mechanical research and ergonomic design principles, the G-2 is an uncomplicated yet sophisticated dynamic tilt-in-space chair.

Providing superior postural support, exceptional positioning and outstanding comfort and pressure management, this stylish chair has been designed to ensure that all the adjustments are simple and effective to meet the needs of carers as well as semi- and non-ambulant users in a wide variety of care environments. From the fluidity of the tilt-in-space movement, the sweep of the arcing legrest through to the unique helical-motion of the lateral supports and the articulation of the anatomically moulded backrest, the G-2 achieves new levels of support and positioning, immersion and comfort.



Manual



Powered



Regulated Motion



Tilt-in-Space



Articulating Legrest

PRODUCT DETAILS

Features & Benefits

- Tilt-in-space action - Manual, Powered or Regulated Motion
- Articulating legrest - Manual or Powered
- Articulating legrest action - does not compromise footboard positioning
- Adjustable footboard height and angle
- Built-in, helical-motion lateral supports to stabilise the pelvis
- Evidence-based articulating, supportive backrest
- Immersive comfort in seat and backrest aiding pressure management
- Adjustable seat depth
- Multi-directional stretch, breathable Dartex material on all user contact surfaces
- Good hoist access
- Modular construction enables easy refurbishment
- Two wheel options: 100mm wheels, braked at rear and Large Wheel version available with 315mm rear wheels with brake bar (400/450 widths only). Directional lock castors available on request

Accessories

- Negative angle legrest
- Choice of headrest
- Leg laterals
- Laminated tray with straps
- Headcap
- Lap-belt with D-ring straps
- Pelvic positioner with D-ring straps

Pressure Relieving Seat Modules (Integral)

- Reflexion™ foam
- Dyna-Tek® Intelligent Air



Florien Elite

Product Code: SEA0910001

SWL: 160kg/25 stone

With dynamic adjustability, exceptional comfort, postural support and pressure care management, the Florien Elite is an ideal chair for ambulant, semi-ambulant and non-ambulant users as well as in multi-user environments.

With both tilt-in-space and back angle recline functionality, the Florien Elite also has a choice of two backrests, Waterfall or Contoured, to meet the needs of different care settings. The unique, dynamic upholstered arms float across the seat to achieve appropriate seat width for each user. Moreover, these arms have the ability to swivel backwards to effect a side transfer or easier hoist access.



Manual



Tilt-in-Space



Back Angle
Recline



Articulating
Legrest

PRODUCT DETAILS

Features & Benefits

- Manual tilt-in-space with independent back angle recline
- Manual elevating legrest with negative retraction to aid standing transfers and accommodate contractures
- Removable, swivel-back armrests for side transfer and easier hoist access
- Multi-positioning integral headrest
- Adjustable seat width and seat length
- Adjustable seat height (specified at time of manufacture)
- Choice of sculpted contoured or immersive waterfall backrest
- Ergonomic push handle
- Simple replacement of modular components
- Reflexion foam upholstered in multi-stretch, breathable Dartex on all user contact surfaces
- No Velcro used
- 100mm castors, braked at rear. Directional lock castors available on request

Accessories

- Lateral supports
- Elevating/Articulating legrest
- Height adjustable, flip-up footrest (90° foot positioning) or height adjustable, articulating footrest (plantar flexion achievable)
- Lap-belt with D-ring straps
- Pelvic positioner with D-ring straps
- Universal tray

Pressure Relieving Seat Modules (Integral)

- Reflexion™ foam
- Dyna-Flex® foam
- Dyna-Tek® Posture Visco
- Dyna-Tek® Intelligent Air

Florien Fife

Product Code: SEA0810001

SWL: 180kg/28 stone

The Florien Fife is a manual, dynamic tilt-in-space chair suitable for semi- and non-ambulant users who require assistance with maintaining their seating position and posture.

This highly configurable, modular chair has a ramped seat angle enabling a good seated position to be achieved and maintained alongside a negative angle legrest to either accommodate those with contractures or those that are able to independently transfer in or out of the chair.

The Waterfall backrest provides an immersive cushioned support which has proved effective for those with a more kyphotic posture.

The Florien Fife offers dynamic movement for the user and is highly mobile for the carer with effective hoist access by the removal of the arm modules.



Manual



Tilt-in-Space



Elevating
Legrest

PRODUCT DETAILS

Features & Benefits

- Manual tilt-in-space action
- Manual legrest elevation
- 25° negative angle legrest - accommodates contractures at the knee or aids standing transfers
- Ramped seat module
- Removable arms for easier hoist access and side transfers
- Three seat length options: 435mm, 460mm, 485mm (to be set at time of manufacture)
- Three seat widths: 400mm, 450mm, 500mm (determined by armrest width)
- Multi-positioning, integral armrest
- Ergonomically positioned push handle
- Waterfall backrest
- Height adjustable, flip-up footrest
- Fixing plates for pelvic positioners
- 100mm wheels, braked at rear

Accessories

- Flat seat board with built-in 60mm ramp at front
- Infill arm blocks
- Lateral supports
- Seat infill block
- Universal headrest
- Lap-belt with D-ring straps
- Pelvic positioner with D-ring straps
- Laminated tray with straps
- Universal mobile tray

Pressure Relieving Seat Modules (Integral)

- Reflexion™ foam
- Dyna-Tek® Intelligent Air

Florien II

Product Code: SEA0711001

SWL: 180kg/28 stone

A dynamic and highly mobile seating system, the Florien II enables greater independence by promoting correct posture and facilitating a supportive, comfortable seated position.

Unique features including an ergonomically moulded backrest and modern styling make this an excellent solution for a wide variety of users and environments.

The removable arm rest is an ideal feature for users who are hoisted or able to side transfer.

The modularity of the Florien II enables simple replacement parts for re-issue to new users, making it a cost effective seating solution and valuable asset for care providers.



Manual



Tilt-in-Space



Elevating
Legrest

PRODUCT DETAILS

Features & Benefits

- Manual tilt-in-space action
- Manual legrest elevation
- 25° negative angle legrest - accommodates contractures at the knee or aids standing transfers
- Removable arms for easier hoist access and side transfers
- Three seat length options: 435mm, 460mm, 485mm (to be specified at time of manufacture)
- Three seat width options: 400mm, 450mm, 500mm (determined by armrest width)
- Multi-positioning, integral headrest
- Comfortable moulded backrest
- Ergonomically positioned push handle
- Two wheel options: 100mm wheels, braked at rear and Large Wheel version available with 315mm rear wheels with brake bar. Directional lock castors available on request

Accessories

- Height adjustable flip-up footrest
- Adjustable lateral supports
- Adjustable headrest
- Lap-belt with D-ring straps
- Pelvic positioner with D-ring straps
- Universal tray
- Flat seat board

Pressure Relieving Seat Modules (Integral)

- Reflexion™ foam
- Dyna-Tek® Intelligent Air

Encora

Product Code: SEA0511001

SWL: 160kg/25 stone

Key to the Encora is the ability to raise and lower the chair to attain the correct seat height for each user. This allows the feet to be positioned firmly on the floor when seated helping to maintain an even weight distribution and assisting the ambulant user to stand from the chair more readily.

The Encora has the ability to easily adjust the tilt-in-space positioning to facilitate ultimate pressure management whilst the independent back recline facility enables the user to attain the most comfortable, relaxed resting position possible. Similarly the legrest can be elevated by either the carer or user by the touch of a small lever on the arm of the chair or by a remote control.

The Encora's Advanced Comfort Backrest, incorporating the highly acclaimed Reflexion™ foam, moulds itself to the contours of the user to help disperse body weight and provides superior comfort and support to the user. Further positioning assistance is provided through the built-in, adjustable lateral supports and lumbar cushioning which underpin the design of the sculpted backrest.



Manual



Powered



Tilt-in-Space



Back Angle Recline



Articulating Legrest



Seat Height Adjustment

PRODUCT DETAILS

Features & Benefits

- Tilt-in-space action - Manual or Powered
- Legrest elevation - Manual or Powered
- Back angle recline - Manual or Powered
- Adjustable seat height - enables those who are still ambulant to place feet firmly on the floor
- Adjustable seat length
- Two back style options: Advanced Comfort Backrest with built-in adjustable lateral support or Waterfall backrest
- Pressure relief on all user contact surfaces
- Multi-positioning, integral headrest
- Multi-directional stretch, breathable Dartex material on all user contact surfaces

Accessories

- Height adjustable flip-up footrest
- Laminated tray with straps
- Cushioned or universal headrest
- Lap-belt with D-ring straps
- Pelvic positioner with D-ring straps

Pressure Relieving Seat Modules (Integral)

- Reflexion™ foam
- Dyna-Tek® Intelligent Air

Omega

Product Code: SEA1011001

SWL: 150kg/23.5 stone

Comfort and security underpins the Omega, providing a robust, durable chair able to withstand demanding and severe movements yet enable a safe and relaxed seated position.

A sculpted back and contoured seat ensures optimum comfort and provides good positioning for activities such as eating. Relaxing and sleeping is encouraged by the uniquely linked back and seat recline.

As the back angle reclines, the seat angle increases to guarantee a consistently good seated position without affecting the front seat height.



Manual



Back Angle
Recline

PRODUCT DETAILS

Features & Benefits

- Manual back recline and variable seat angle - as the back reclines, the seat angle increases to enhance comfort and safety
- Pivoting seat at front edge to retain knee to floor height
- Robust, durable frame with modular back, arm and seat components
- Horizontally and vertically sculpted back aiding midline stability
- Two back height options: 740mm or 800mm*
- Three seat width options: 380mm, 430mm, 510mm*
- Three seat length options: 430mm, 470mm, 500mm*
- Supportive Reflexion™ foam legrest (removable)
- Ergonomically positioned push handle
- Available without legrest, if required

Accessories

- Sliding footrest for use when legrest is removed
- Weighted universal headrest
- Cushioned headrest
- Lap-belt with D-ring straps
- Pelvic positioner with D-ring straps
- Headcap
- Washable loose covers

Pressure Relieving Seat Modules (Integral)

- Reflexion™ foam
- Dyna-Tek® Intelligent Air

*To be specified at time of manufacture

Regent

Product Code: SEA1211001

SWL: 102kg/16 stone

Sophisticated designs disguise the features that make the Regent range the ideal robust seating solution for the ambulant users.

High, broad armrests offer a sense of security as well as facilitating easy standing while different contoured back styles provide superior comfort and postural support. The adjustable seat length and angle enables the Regent to be tailored for each individual user.

The modularity of the range lends itself to being easily refurbished and repaired which makes it a sustainable answer for many care environments.

The Regent range is a versatile solution for those seated for long periods with the added option of the Intelligent Air integral cushion in the seat for those at Very High Risk or with a Grade IV pressure ulcer (EPUAP).



Manual



Back Angle
Recline

PRODUCT DETAILS

Features & Benefits

- Two sizes: Major and Minor
- Two design styles to choose from
- Adjustable seat length and angle
- Modular configuration
- Pressure relieving foam on backrest and arms of the chair

Accessories

- Sliding footrest
- Push handle
- Laminated tray with straps
- Loose covers for armrests and seat
- Weighted universal headrest
- Lap-belt with D-ring straps
- Pelvic positioner with D-ring straps

Pressure Relieving Seat Modules (Integral)

- Reflexion™ foam
- Dyna-Tek® Intelligent Air



Stirling

Product Code: CH02000

SWL: 102kg/16 stone

The Stirling's degree of seat ramp to back angle recline combines with lateral support to ensure the correct posture and position of the user.

Elegant simplicity combined with good proportions and attention to detail ensures the Stirling complements many different environments.

PRODUCT DETAILS

Features & Benefits

- Elegant, simple design
- Correct positioning and support
- Fixed angle seat and back
- Lateral supports
- Built-in headrest support
- 70mm wheels, braked at rear

Accessories

- Head supports
- Sliding footrest
- Legrests
- Laminated tray
- Wedges and cushions
- Lap-belt with D-ring straps
- Pelvic positioner with D-ring straps

Pressure Relieving Seat Modules (Integral)

- Reflexion™ foam

Wendover

Product Code: CH05000

SWL: Small - 95kg/15 stone
Medium/Large - 130kg/20 stone

The Wendover riser recliner is a contemporary chair designed with simplicity in mind. Available in small, medium and large sizes, this elegant chair accommodates the majority of dimensions to achieve a comfortable seated position that promotes good posture.

Available with Plain Back, Plain Back with Wings or a Waterfall Back to tailor the comfort level to suit individual preferences. The Wendover can be underpinned by a choice of action depending on your functionality needs; single motor for those who prefer to maintain a seat to back angle while reclining, dual tilt-in-space for the added function of an independent legrest and backrest movement or Wallhugger for next to walls or in areas where space is limited.



Tilt-in-Space



Back Angle Recline



Legrest Elevation



Raise Facility

PRODUCT DETAILS

Features & Benefits

- Choice of Wallhugger, single or dual tilt-in-space action
- Choice of three sizes: small, medium or large
- Choice of three backrest styles – Plain Back, Plain Back with Wings, Waterfall Back
- Fixed seat and legrest wrap
- Emergency lowering device (one action only)
- Castors* for ease of movement
- Wide choice of soft covers, water-resistant, breathable fabrics, vinyl or leather**

Accessories

- Detachable seat and legrest wrap for ease of cleaning
- Detachable legrest pillow
- Adjustable Foam or Metal Lateral Supports
- Hazard sensor device for detecting obstacles under the chair
- Shroud or fully enclosed mechanism
- Rechargeable battery back-up or AccuPak facility

Pressure Relieving Seat Modules (Integral)

- Reflexion™ foam

*Polyurethane Castors (rear lockable) or Non Slip Glides strongly recommended for domestic wooden, laminate or vinyl floors and Rubber Wheels (rear lockable) for healthcare establishments - please specify at time of manufacture.

**Vinyl, leather and some soft covers may cause creaking or noise on action chairs.



Chatsworth

Product Code: CH02000

SWL: Small - 130kg/20 stone
Medium/Large - 160kg/25 stone

The Chatsworth riser recliner is the ultimate bespoke seating solution. It comes with a range of options to suit your requirements and budget.

Choose from a single, dual or dual tilt-in-space action, each providing a smooth, effortless rise and recline movement, operated by an easy to use handset. The Chatsworth has the ability to adjust its lift and tilt for the best rising position to suit each user. It is supplied as standard in maximum tilt, lowest lift position but may easily be adjusted to achieve higher flatter lift or very high virtually flat lift upon request. This can be helpful with side transfers into bed or another chair.

The Chatsworth can be tailored to each individual's specification in terms of seat width, height, depth and armrest height to ensure comfort and support when seated and a choice of traditional scrolled or contemporary armrests to match the chair to your own style.

PRODUCT DETAILS

Features & Benefits

- Single, dual or dual tilt-in-space action
- Standard sizes (small, medium & large) or tailored dimensions
- Choice of scrolled (supplied as standard) or contemporary armrest style
- Choice of eight backrest styles - Waterfall Back, Firm Back, Soft Back, Soft-Wing Back, Lateral Support Back, Double Lateral Support Back, Split Back and T-Back
- Choice of lift and tilt angle on medium and large models
- Adjustable fibre-filled zipped neck pillow included as standard with Soft Back, Soft-Wing Back and Firm Back chairs
- Fixed seat and legrest wrap
- Emergency lowering device (one action only)
- Castors* for ease of movement

Accessories

- Detachable seat and legrest wrap for ease of cleaning
- Detachable legrest pillow
- Adjustable Foam or Metal Lateral Supports (except dual motor chairs)
- Wooden handgrips for added confidence when rising. Note, arm height is reduced by 25mm/1"
- Hazard sensor device for detecting obstacles under the chair
- Shroud or fully enclosed mechanism
- Rechargeable battery back-up or AccuPak facility

Pressure Relieving Seat Modules (Integral)

- Reflexion™ foam

*Polyurethane Castors (rear lockable) or Non Slip Glides strongly recommended for domestic wooden, laminate or vinyl floors and Rubber Wheels (rear lockable) for healthcare establishments - please specify at time of manufacture.

DIRECT UPHOLSTERY FABRICS

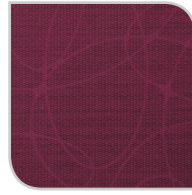
Vinyl: **Venture** (CH)



Hyacinth



Rose



Mulberry



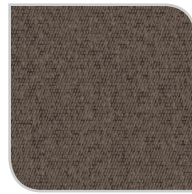
Duck Egg

Vinyl: **Cadet Trek** (CH)



Indigo

Vinyl: **Wild Heather** (CH)



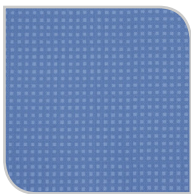
Spey

Vinyl: **Etch** (CH)

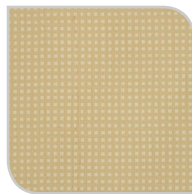


Wedgewood

Vinyl: **Berkshire** (CH)



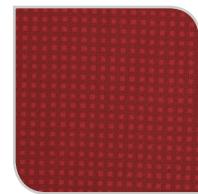
Boxford



Fawley



Caversham



Purley

Vinyl: **Enduratex Prairie** ^(A)



Turtlecreek



Duststorm



Raindance

Vinyl: **Brookland** ^(A)



Red



Navy



Espresso



Black

Panvelle Stretch: **Spirit** ^(A)



Blue



Burgundy

Panvelle Stretch: **Monaco** ^(A)



Black/Chalk



Mulberry



Azure

LOOSE COVER FABRICS

Panaz Trevira: Spirit



Blue



Burgundy

Panaz Trevira: Monaco



Indigo



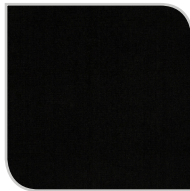
Rose

DARTEX

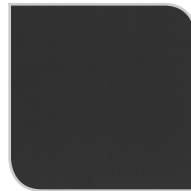
Dartex



Navy



Black



Graphite

Vinyl direct upholstery is a water-resistant, anti-microbial, anti-fungal material suitable for demanding applications. Vinyl is highly recommended for hospital environments.

Panvelle Stretch direct upholstery is a unique anti-bacterial fabric that is water-resistant yet breathable and warm to the touch.

Panaz Trevira is a loose cover cotton material that can be easily cleaned.

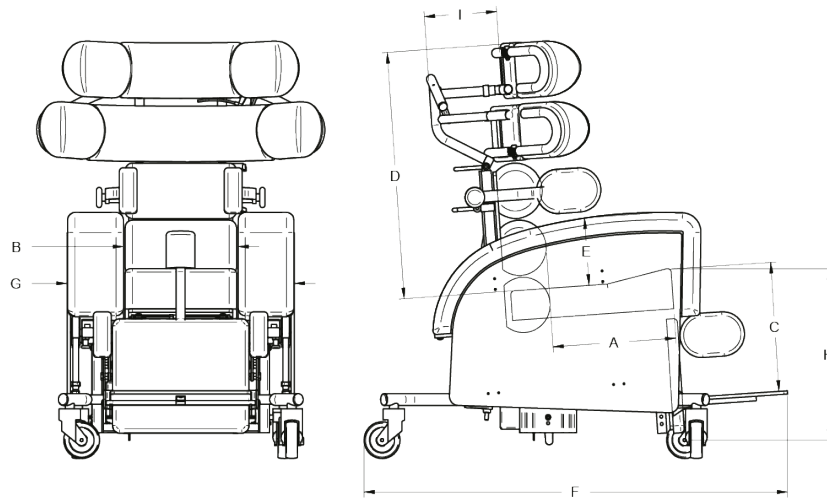
Dartex is a strong, multi-stretch, vapour permeable fabric which is simple to wipe clean and complements the pressure relief incorporated into the chair. Dartex comes as standard on contact surfaces.

All materials have been fire tested to BS5852 ignition source 0, 1 and 5.

Please note, colours shown are for illustrative purposes only and products may appear different to those shown.

TECHNICAL SPECIFICATIONS

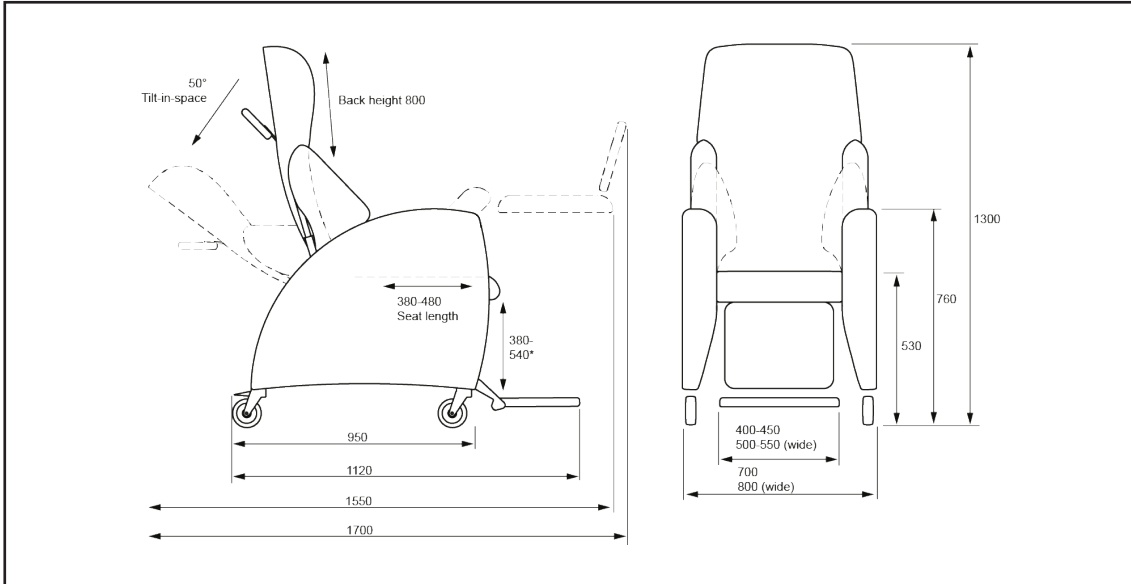
Duo Major/Minor



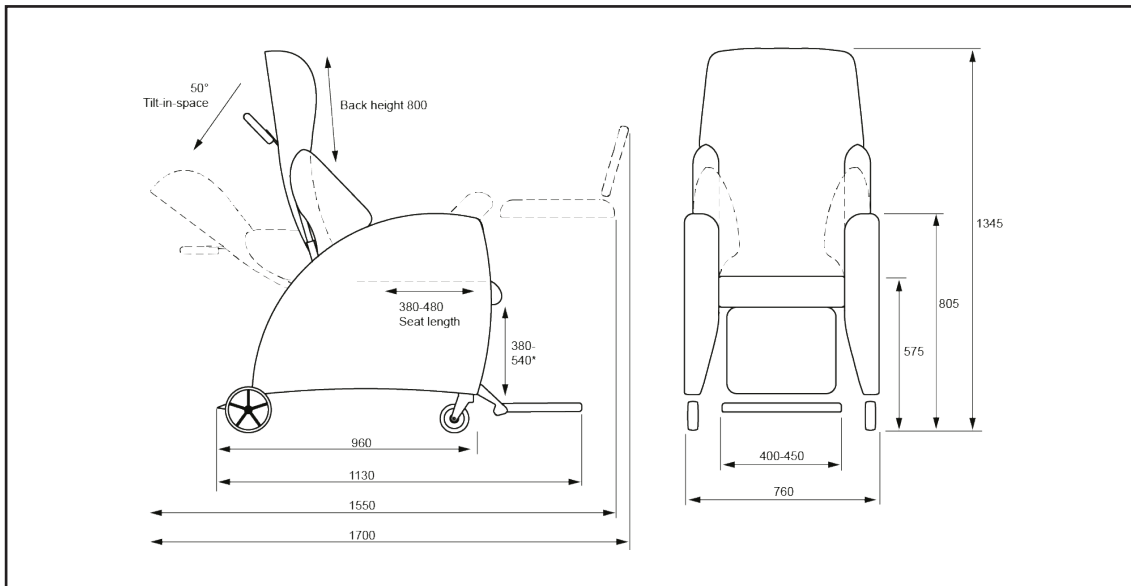
	Major	Minor
A: Seat Length	380-500mm	320-460mm
B: Seat Width	350/400/450/500mm	300/350/400/450mm
C: Seat Height (from footboard)	350-500mm	300-450mm
D: Back Height	670-940mm	610-820mm
E: Arm Height	180-300mm	180-300mm
F: Overall Length	1180mm	1030mm
G: Overall Width	680-830mm	620-770mm
H: Seat Height (from floor)	610-630mm	500-620mm
I: Headrest Depth Adjustment	100mm	80mm
Tilt-in-Space	Horizontal to 35° backwards (28° backwards on manual version) Regulated motion range between 10° and 25°	
Back Recline	90° to 130°	90° to 130°
Negative Legrest Angle	-25°	-25°
Footrest Adjustable Angle	60°, 75°, 90°, 105°, 120°	60°, 75°, 90°, 105°, 120°

G-2

Standard Wheel Version

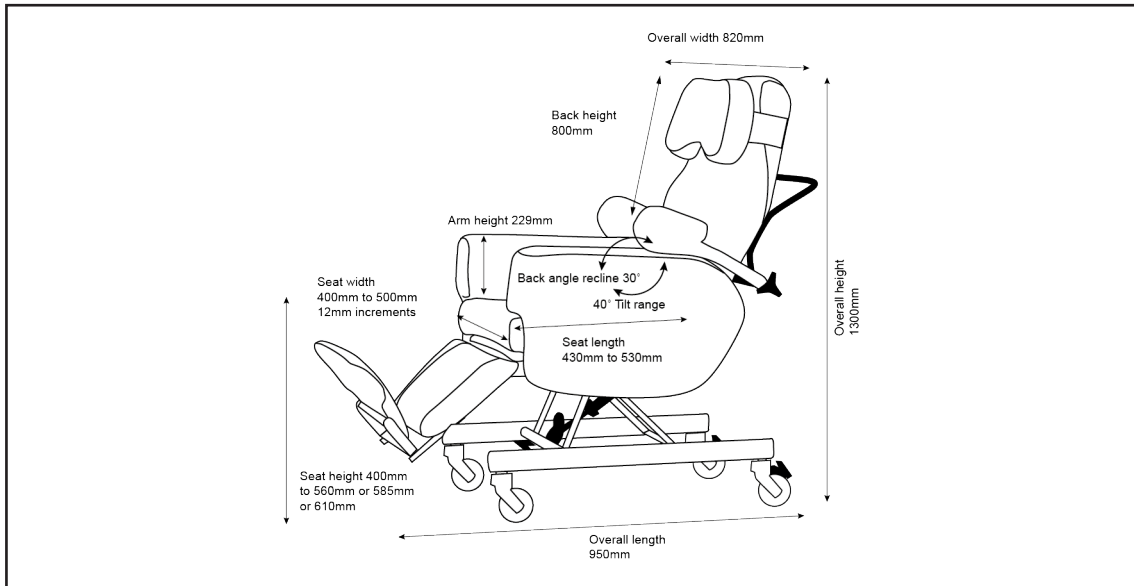


Large Wheel Version



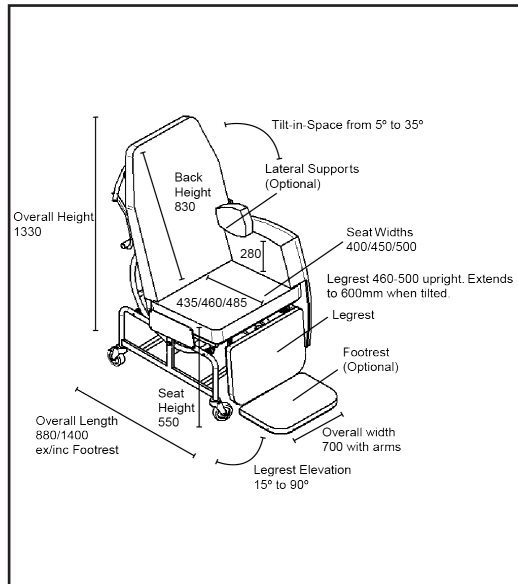
Dimensions in mm

Florien Elite

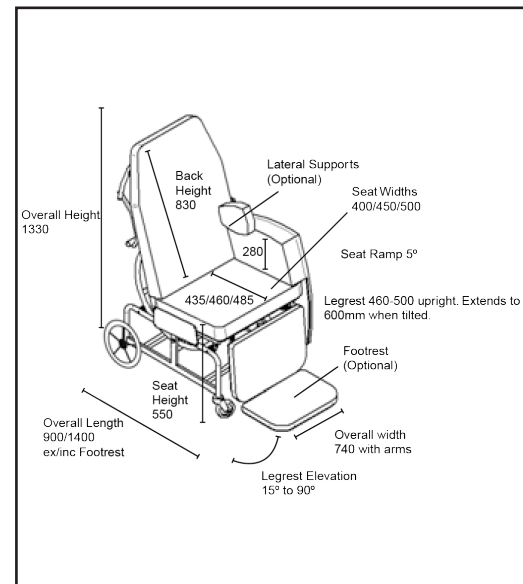


Florien II & Florian Fife

Standard Wheel Version

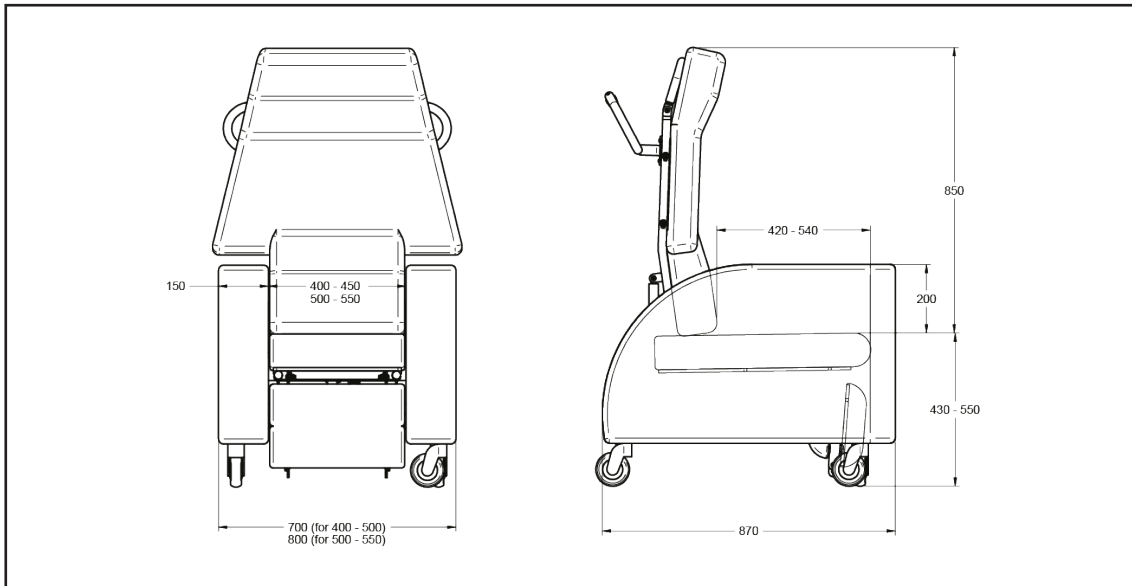


Large Wheel Version



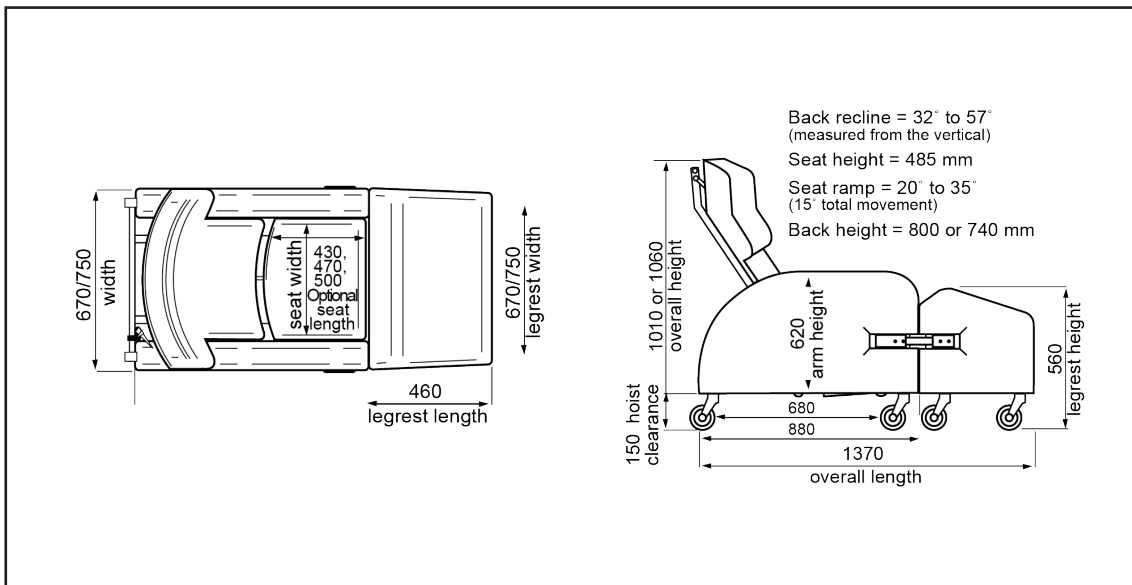
Dimensions in mm

Encora



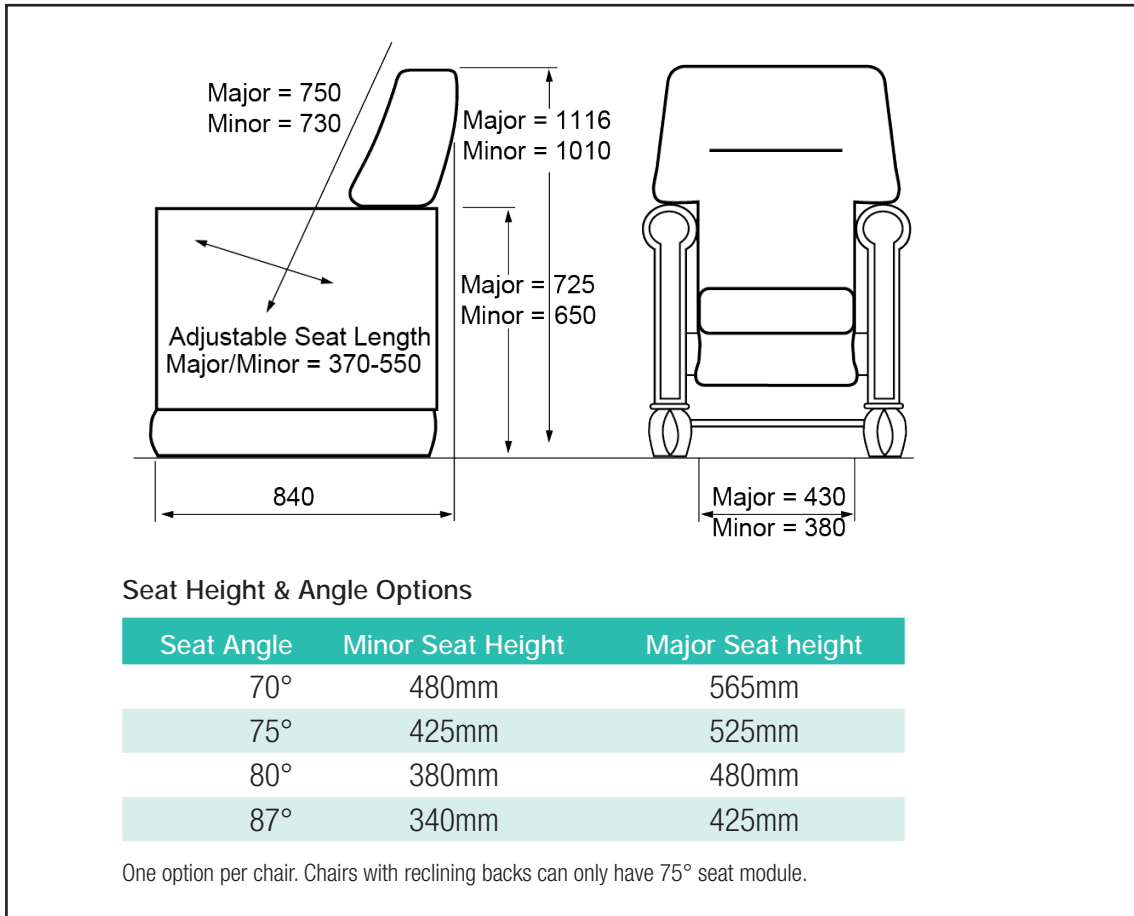
Dimensions in mm

Omega



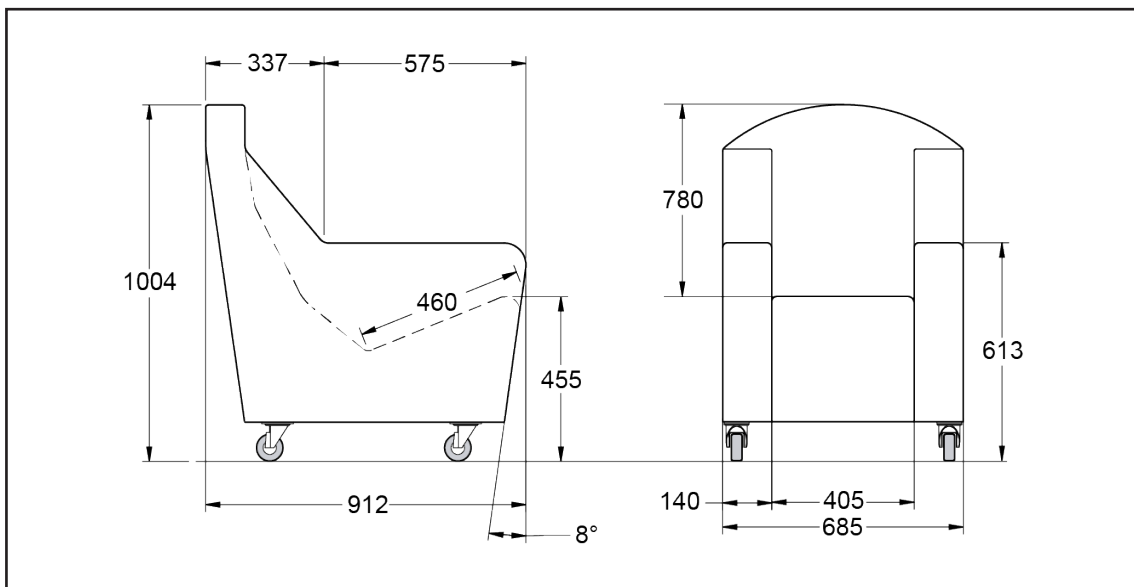
Dimensions in mm

Regent



Dimensions in mm

Stirling



Dimensions in mm

Wendover

	Small	Medium	Large
Seat Height	440mm	470mm	495mm
Seat Width	470mm	520mm	520mm
Seat Depth (Single Motor)	445mm	470mm	495mm
Seat Depth (Dual Tilt-in-Space Motor)	495mm	470mm	495mm
Arm Height	190mm	190mm	190mm
Back Height	650mm	700mm	700mm
SWL	95kg/15 stone	130kg/20 stone	130kg/20 stone
Dynamic Legrest SWL	60kg/9.5 stone	60kg/9.5 stone	60kg/9.5 stone

Chatsworth

	Small	Medium	Large
Seat Height	440mm	470mm	495mm
Seat Width	470mm	520mm	520mm
Seat Depth (Single Motor)	495mm	470mm	495mm
Seat Depth (Dual Tilt-in-Space Motor)	495mm	470mm	495mm
Arm Height (Single Motor)	190mm	190mm	190mm
Arm Height (Dual Tilt-in-Space Motor)	200mm	200mm	200mm
Back Height	650mm	700mm	700mm
SWL	130kg/20 stone	160kg/25 stone	160kg/25 stone
Dynamic Legrest SWL (Single & Dual Tilt-in-Space Motor)	60kg/9.5 stone	60kg/9.5 stone	60kg/9.5 stone
Dynamic Legrest SWL (Dual Motor)	40kg/6 stone	25kg/4 stone	25kg/4 stone

Direct Healthcare Group

Advancing Movement & Health[®]

Direct Healthcare Services

Intelligent Pressure Care

A leader in the health application of pressure care technologies, Direct Healthcare Services designs and manufactures a comprehensive range of clinically proven, best value pressure care solutions including mattress systems, cushions and overlays.



Specialist Seating

Kirton specialist seating, for patients with complex care needs, are designed for comfort, support and stability. Incorporating clinically proven pressure care, Kirton seating solutions effectively promotes mobility and independence vital to maintaining quality of daily living.



Rental & Service Solutions

24/7/365 rental service for standard, bariatric and specialist seating equipment. Technical service solutions maintain equipment required to required quality and regulatory standards.

Direct Healthcare Group

Advancing Movement & Health®

Intelligent Pressure Care Management

Specialist Seating

Rental & Servicing Solutions

Direct Healthcare Group
Withey Court, Western Industrial Estate
Caerphilly, United Kingdom
CF83 1BF

T: +44 (0) 845 459 9831

F: +44 (0) 845 459 9832

E: info@directhealthcaregroup.com



CE
0843

LIT-00047 Issue 1
Date: October 2018

DIRECTHEALTHCAREGROUP.COM