

# MiniLift200

## SystemRoMedic™

MD CE

Service manual - English

**Valid from serial number:**  
200005000



SWL: 200 kg/441 lbs



## Safety information

---

### Visual inspection

Inspect lift unit functions regularly. Check to ensure that material is free from damage.

### Before use

Ensure that the product is correctly assembled.

Check slingbar connection and safety latch function.

Check lift and base-width movement.

Check to ensure that the actuator is correctly installed.



## Always read the user manual

---

Always read the user manuals for all assistive devices used during a transfer.

Keep the user manual where it is accessible to users of the product.

The lift unit may only be used by persons who have received instruction in the operation of the lift unit.

# Table of contents

## Assembly

-Final inspection .....	3
-------------------------	---

## Using the product

- Important information .....	4
-------------------------------	---

- Trouble-shooting .....	4
--------------------------	---

<b>Exploded view and components .....</b>	<b>5-9</b>
---	------------

<b>Spare part list .....</b>	<b>10-11</b>
------------------------------	--------------

<b>Changing of spare parts .....</b>	<b>12-13</b>
--------------------------------------	--------------

<b>Periodic inspection - protocol .....</b>	<b>14</b>
---	-----------

- Description for periodic inspection .....	15
---	----

- Periodic inspection - instruction .....	16-17
---	-------

<b>Maintenance .....</b>	<b>18</b>
--------------------------	-----------

<b>Symbols .....</b>	<b>18</b>
----------------------	-----------

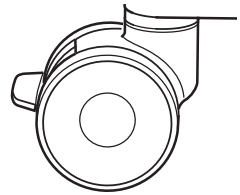
<b>Technical information .....</b>	<b>19</b>
------------------------------------	-----------

- Dimensions .....	20-21
--------------------	-------

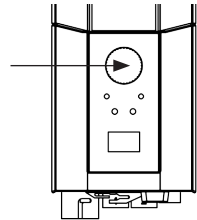
# Assembly

## Final inspection

Check to ensure that no parts have been left in the packaging.  
Inspect the lift for signs of wear and damage.  
Check all four castor wheels and castor wheel locks.  
Check all connections and fixtures including screws and bolts.



Check the emergency stop function by activating the emergency stop, and then pressing either the up or down button. If nothing happens when the up or down buttons are pressed, the emergency stop is functioning properly.



Grasp the hand control, press the up button and run the lift arm all the way up.  
Then, press the down button and run the lift arm all the way down.  
Test base-width adjustment function. Press the button for base-width adjustment to widen the base fully, and then press the other button to narrow the base again.



Test lift function by lifting a person (not a user) using an approved sling. At the same time, check the emergency lowering function with someone on the lift. See section on Emergency lowering.

If the lift is functioning correctly, connect the charger and check to ensure that the charging lamp on the control box lights up.

### NOTE!

Before the lift is used for the first time:

- it must be charged for at least 4 hours. See section on charging batteries.
- the control box service counter needs to be reset. To reset the service counters press both lift buttons on the hand control at the same time for 5 seconds. An audio signal will indicate that the timer has been reset.





Keep the user manual where it is accessible to users of the product.

# Using the product



## Important Information

---

- The lift must be assembled according to the assembly instructions provided with the lift.
- The lift may only be used indoors and on a level floor.
- Lifting accessories must be properly fitted and tested in relation to the user's needs and functional ability.
- Do not leave the user unattended during a transfer situation. 
- Under no circumstances may max. load be exceeded. See section on Safe working load.
- Ensure that the user's feet do not get caught between the footplate and the floor. Ensure that the user's feet do not get caught between the footplate and the base when adjusting the base width.
- MiniLift200 is not intended for transporting users. It may only be used for short transfers.
- Never move the lift by pulling on the actuator!   
Do not push
- The lift must not be used or immersed in or under water including showering.
- The lift should not be left / stored in a high humidity environment.
- The lift must not be charged in a wet room.
- To ensure optimal function, the lift must be inspected regularly. See section on Maintenance.
- Warranty applies only if repairs or alterations are done by an authorized technician.
- Using lifting accessories other than those approved by Direct Healthcare Group can entail a risk.

## Trouble-shooting

### **If the lift or base-width adjustment cannot be activated, check the following:**

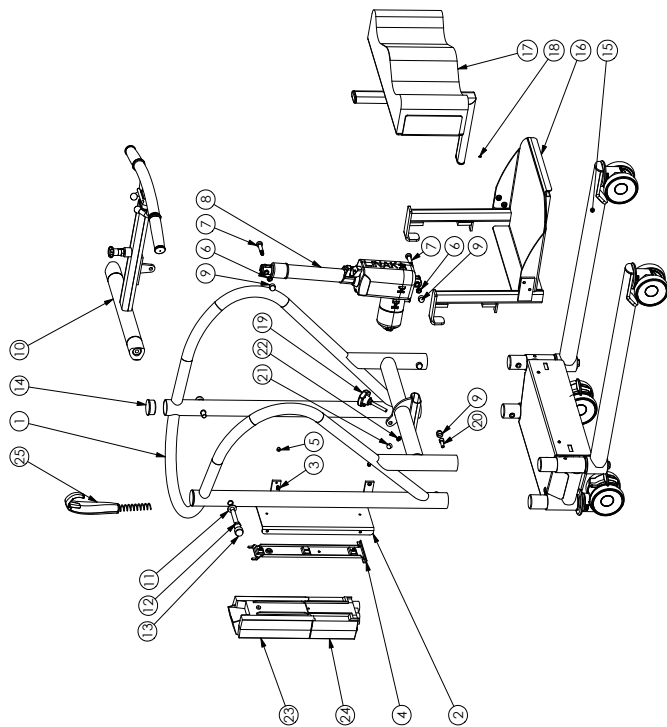
- That the emergency stop button is not pressed in.
- That all cables are properly and securely connected. Pull out the contact and plug it in again firmly.
- That battery charging is not in progress.
- That the battery is charged.

If the lift unit is not working properly, contact your dealer.

### **If the lift unit makes unusual noises:**

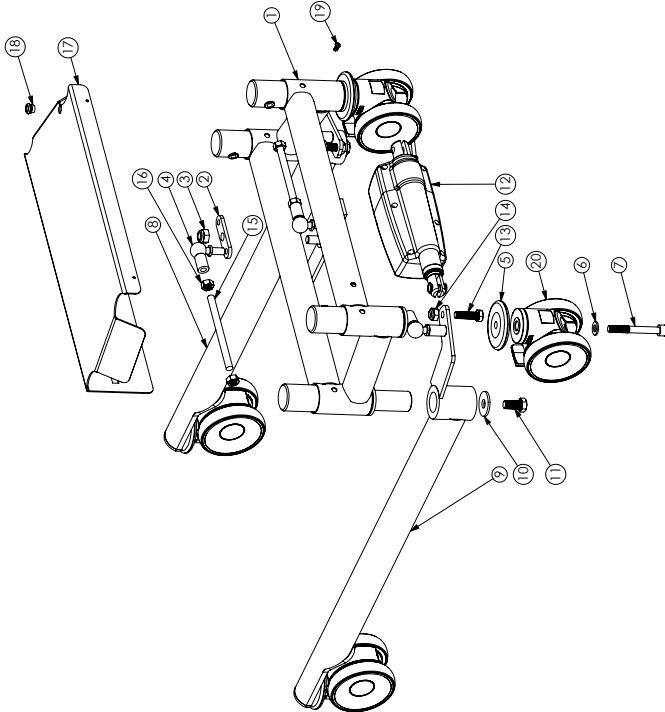
- Try to determine the source of the sound. Take the lift unit out of operation and contact your dealer.

# Exploded view and components



ITEM NO.	DOCUMENT NO.	REV.	TITLE	QTY.
1	90004082	01	Frame painted ML200	1
2	90004083	01	Battery holder	1
3	90004021	01	Screw K65 ISO7380 8.8 M6x8 fzb	2
4	90001889	04	Link MBJ2 incl. screws	1
5	90004084	01	Cap nut DIN1587 M5	2
6	90000026	03	Lock nut DIN985 M8 fzb	2
7	90000351	02	Shoulder bolt ISO7379 [DIN610] 12.9 10xM8x30	2
8	90005769	01	Actuator LA34.34420F+4X1851AX	1
9	90000330	02	Nut cover KSM8G	6
10	90004023	03	Liftarm mounted ML200	1
11	90004085	01	Washer DIN123 13x23x2.5	2
12	90003772	01	Screw M65 DIN931 8.8 M12x65 fzb	2
13	90000493	02	Nut cover MSM12G	2
14	90004087	01	End cover Ø45x2mm Grey	2
15	90004068	02	Undercarriage mounted ML200	1
16	90004073	01	Footplate holder ML200	1
17	90004081	01	Kneepad holder ML200	1
18	90004078	01	Screw RX3-DIN7981-C_4.8x13_fzb	1
19	90004012	01	Handwheel with threaded bar ML200	1
20	90004471	01	Screw M65 DIN912.8.8_M8x20_fzb	4
21	90003318	01	Nut cover M6 grey	1
22	90002799	01	Screw P655 DIN913.8.8 M8x12 fzb	1
23	90003166	02	BAJ1030-00 [Battery box CBJ grey; BA J1]	1
24	90003161	01	Controlbox CBJCare w display LA34	1
25	90003165	02	HB30021-01 [Hand control HB32.4 button]	1

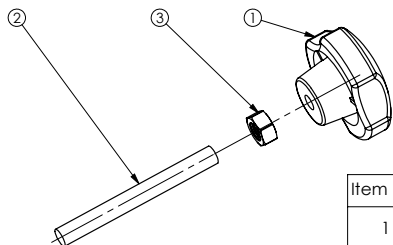
# Exploded view - Base EM



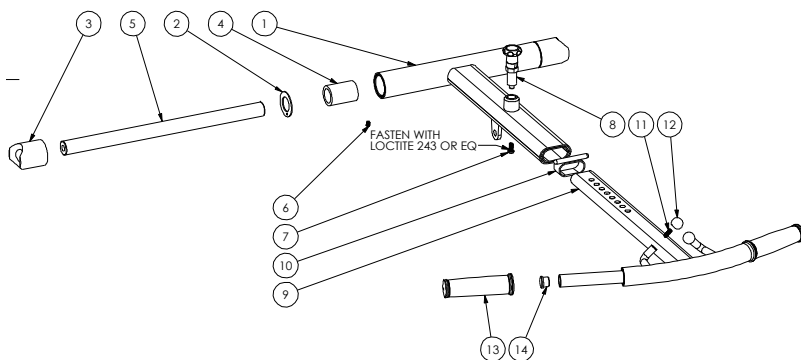
Brako assembly number 74234-6334

Item No.	Part No.	Rev.	Description	Qty.
1	90004030	00	Undercarriage painted	1
2	90004031	00	Motion transmission plate painted	1
3	90000487	01	Lock nut DIN985 Cl.6 M12 Fzb	1
4	90004024	00	Ball joint M10 DIN71805	2
5	90003460	01	Wheel bumper	2
6	90000601	01	Washer DIN125 10.5x20x2 Fzb	2
7	90007033	00	Screw MCG5 DIN9712 8.8 M10x80 Fzb	2
8	90004029	02	Left leg mounted ML200	1
9	90004025	00	Right leg mounted ML200	1
10	90001176	00	Washer DIN 9021 M12 Fzb	2
11	90004032	01	Screw M45 DIN933 8.8 M12x20 Fzb	2
12	90000680	00	Actuator LA208 ML200	1
13	90004033	00	Screw M45 DIN933 8.8 M10x35 Fzb	2
14	90000539	02	Lock nut DIN 985 Cl.6 M10 Fzb	2
15	90002740	00/A	Threaded bush DIN976-1 8.8 M10x200 Fzb	2
16	90000873	01	Hex nut DIN934 M4x M10 Fzb	4
17	90004065	00	Hedge plate painted	1
18	90004066	00	Gum grommet	1
19	90004067	00	Screw K65 DIN7380 8.8 M4x12 Fzb	4
20	90000260	01	Recr wheel 100mm	2

## Exploded view - Lifting arm

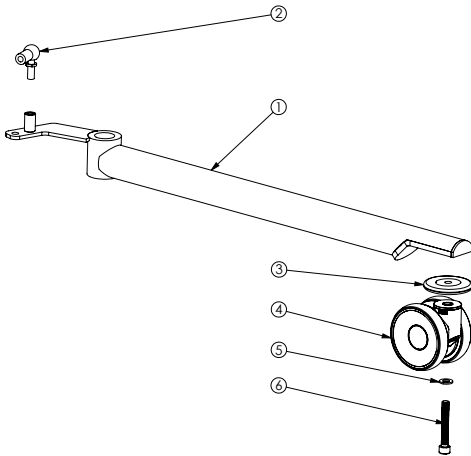


Item No.	Part No.	Rev.	Description	Qty.
1	90004010	01	Handwheel Ø50 M8 Grey	1
2	90004011	00	Threaded bar M8x75	1
3	90000504	01	Nut M6M DIN934 M8 fzb	1



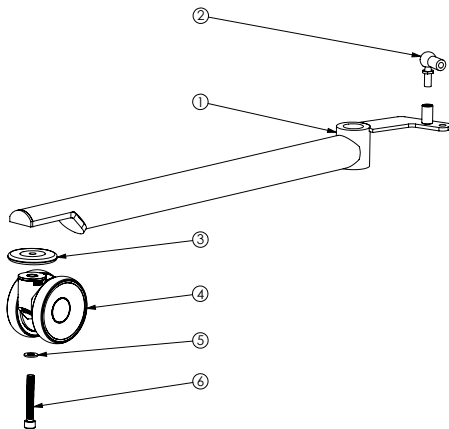
ITEM NO.	DOCUMENT NO.	REV.	TITLE	QTY.
1	90004016	01	Lifting arm outer	1
2	90004017	02	Sliding washer SKF Ø26xØ44x1,5	2
3	90004018	01	Turning bar	2
4	90004019	01	Bronze bearing Ø35xØ25x50	2
5	90004020	01	Threaded bar	1
6	90004022	01	Screw_P6SS_M6x8_DIN916_8.8_fzb	2
7	90001252	01	Screw K6S DIN7380 8.8 M6x14 fzb	1
8	90003136	03	Plastic spring screw Grey	1
9	90002772	02	Lifting arm inner	1
10	90002691	02	Lifting arm sling stopper asm	1
11	90004013	01	Screw P6SS DIN916 M6x16	2
12	90002697	01	Lifting arm sling hook end	2
13	90002773	01	Lifting arm handle black	2
14	90004014	01	Plastic cap Ø20x1,4 Black	2

## Exploded view - Leg Right



Item No.	Part No.	Rev.	Description	Qty.
1	90004015	00	Right leg ML200	1
2	90004024	00	Ball joint M10 DIN71805	1
3	90003460	01	Wheel bumper	1
4	90000259	01	Front wheel 100mm	1
5	90000601	01	Washer DIN125 10.5x20x2 fzb	1
6	90001175	00	Screw MC65 DIN 912 M10x70 8.8 fzb	1

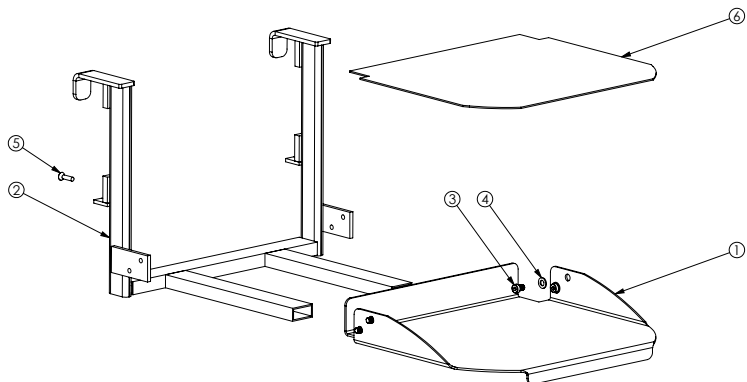
## Exploded view - Leg Left



Item No.	Part No.	Rev.	Description	Qty.
1	90004028	00	Leg left ML200	1
2	90004024	00	Ball joint M10 DIN71805	1
3	90003460	01	Wheel bumper	1
4	90000259	01	Front wheel 100mm	1
5	90000601	01	Washer DIN125 10.5x20x2 fzb	1
6	90001175	00	Screw MC65 DIN 912 M10x70 8.8 fzb	1

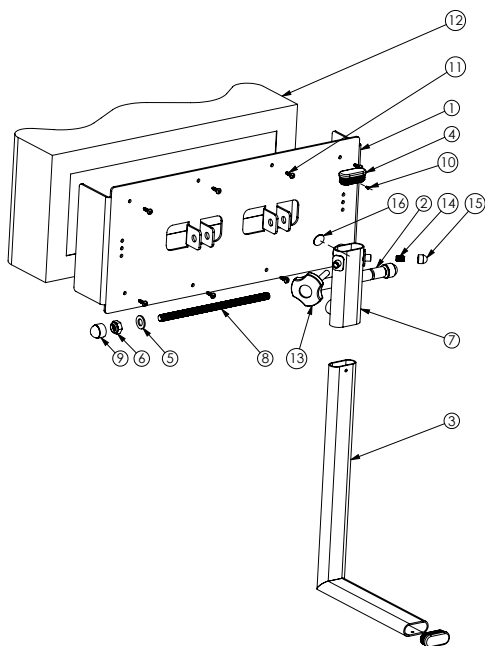


## Exploded view - Foot plate






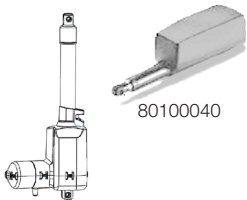
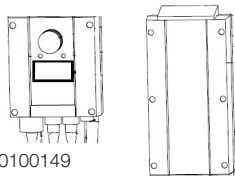
Item No.	Part No.	Rev.	Description	Qty.
1	90004069	00	Footplate ML200	1
2	90004070	00	Foot plate painted	1
3	90004071	00	Screw_MC6S_DIN7984_8.8_M8x12_fzb	4
4	90000345	04	Washer DIN125 8.4x1.6 fzb	4
5	90000605	01	MF6S DIN 7991 8.8 M6x20 FZB	2
6	90004072	00	Rubber footplate ML200	1


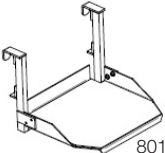
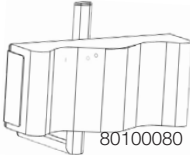
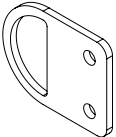
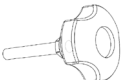

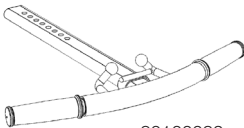
## Exploded view - Kneepad



Item No.	Part No.	Rev.	Description	Qty.
1	90004074	00	Backplate	1
2	90004075	00	Bar -knee pad	2
3	90004077	00	Holder kneepad ML200	1
4	90002741	01	Plastic cover oval 45x20 G	2
5	90000601	01	Washer DIN125 10.5x20x2 fzb	2
6	90000539	02	Lock nut DIN 985 CL6 M10 FZB	2
7	90004076	00	Clamping block	1
8	90002740	00A	Threaded steel rod DIN976-1 8.8 M10x200 fzb	1
9	90003132	01	Nut cover MSM10G	2
10	90004078	00	Screw_RXS_DIN7981-C_4.8x13_fzb	1
11	90004079	00	Screw_RXS_DIN7981-C_4.2x16_fzb	8
12	90004080	00	Kneepad ML200	1
13	90004012	01	Handwheel with threaded bar ML200	1
14	90002799	00A	Screw P6SS DIN913 8.8 M8x12 fzb	1
15	90003318	00	Nut cover M6 grey	1
16	90002753	01	Rubber bumper	2

## Spare part list

Art no.	Product	Unit	Components	Parts
80100045	Cable for charger US	1 pce	1 x Charger cable	 80100048
80100046	Cable for charger Uk	1 pce	1 x Charger cable	
80100047	Cable for charger AUS	1 pce	1 x Charger cable	
80100048	Cable for charger EU	1 pce	1 x Charger cable	
80100001	Front castor 100 mm	1 set	1 x Front castor 1 x Locking nut M10	 80100001    80100002
80100002	Rear castor 100 mm	1 set	1 x Rear castor 1 x Locking nut M10	
80100074	Bumper kit	1 set	4 x Bumper	 80100074
80100040	Actuator legspreading LA28	1 set	1 x Actuator LA28 leg spreading 2 x Locking nut 0,25 x Cardboard	 80100040
80190031	Actuator mast LA34	1 set	1 x Actuator LA34 mast 2 x Locking nut M8 0,5 x Cardboard	
80100072	Actuator mast LA31-L4	1 pce		
80100161	Battery box CBJ Grey BAJ1	1 pce		 80100149    80100161
80100057	Battery CBJ	1 pair	2 x Batteries	
80100149	Control box CBJC	1 pce	1 x Control box	

Art no.	Product	Unit	Components	Parts
80100156	Hand control HB32-4	1 pce	1 x Hand control 4-buttons	 80100156
80100130	Hand control Tester Linak	1 pce		
80100079	Footplate complete 200	1 pce	1 x Footplate holder mounted	 80100079
80100080	Knee pad complete 200	1 pce	1 x Knee pad	 80100080
80100070	Leg strap plate kit	1 set	2 x Leg strap plate 4 x Screw	 80100070
80100077	Locking handle knee pad set	1 set	2 x Handle	 80100077
80100081	Lift arm adjustment pin	1 set	2 x Position bolt	 80100081
80100082	Lifting arm front part 200	1 pce	1 x Hoop 2 x Grip 2 x Screw 2 x Ball 2 x Plastic cap	 80100082

## Changing of spare parts

### **80100045, -46, -47, -48,**

Connect the charger cable to the control box, and then plug it into a wall socket.

### **80100049/ 80100050 Front/Rear castor kit 80mm**

Using an Allen key, remove the screw. Replace the castor, apply Loctite 2701 or similar, and then secure the castor with the screw.

### **80100001, 80100002 Front/rear castor 100 mm**

Using an Allen key, remove the screw that holds the castor in place. Replace the castor, apply Loctite 2701 or similar, and then secure the castor with the screw.

### **80100074 Bumper kit**

Remove the castors and remove the bumper. Install the new bumper and castors. Adjust direction of the lift by turning the bumper.

### **80100040 Acuator legspreading LA28**

Run the actuator until the legs are drawn in fully. Activate emergency stop. Remove the foot plate and the cover by loosen the four screws. Disconnect the actuator from the control box. Loosen and remove the screw that holds the actuator. Remove the actuator. Remove the rubber cover on the actuator cord and move it to the new actuator. Install the new actuator, use the accompanying lock nut. Connect the actuator to the control box. Mount the cover and foot plate again.

### **80190031 Actuator mast LA34**

Lower the lift arm to the lowest position. Activate the emergency stop. Disconnect the actuator from the control box. Loosen the nut and pull the screw out; then, loosen the screw and nut on the lower end of the actuator. Lift the lift arm and remove the actuator. Install the new actuator. Start by fitting the lower end, and then lift the lift arm and fit the upper end. Secure the actuator with the existing screws and the new, accompanying lock nuts. Connect the actuator to the control box.

### **80100149 Control box CBJC MiniLift200**

Activate the emergency stop, and then disconnect the actuator and hand control. Remove the battery, loosen the long screw and remove the control box. Install the new control box and secure it with the screw. Replace the battery, and then connect the actuator and hand control.

**80100161 Battery box CBJ Grey BAJ1**

Remove the battery by lifting it straight up and out of the holder in the control box. Install the new battery in the holder. Note! The battery must be charged for at least four hours before it is used for the first time.

**80100057 Battery CBJ**

Remove the lift battery box and remove the screws. Disconnect the battery connectors and remove the batteries. Install the new batteries in the battery box and connect the connectors. Place the cover on the box and secure it with the screws. Note! The battery box must be charged for at least four hours before it is used for the first time.

**80100156 Hand control HB32-4**

Activate the emergency stop, and then disconnect the hand control. Connect the new hand control.

**80100130 Hand control tester Linak**

Follow the accompanying instructions.

**80100079 Footplate complete 200**

Remove the old footplate and install the new one. Replace the screws with the ones included if needed.

**80100080 Kneepad complete 200**

Loosen the locking screw. Loosen the lower locking handle and pull the knee pad straight out to remove it. Insert the new knee pad in the tube and tighten the locking handle. Refit the locking screw.

**80100070 Leg strap plate kit**

Remove the screws on either side of the lower-leg support/knee pad. Replace the leg strap plate and secure it with the accompanying screws.

**80100077 Locking handle knee pad set**

Unscrew the old handle and install the new one.

**80100081 Lift arm adjustment pin**

Using a wrench, remove the screw that holds the adjustment pin in place on the lift arm. Apply Loctite 2701 or similar on the new adjustment pin and then secure it with the wrench.

**80100082 Lift arm front part 200**

Unscrew the locking screw on the bottom of the lifting arm. Pull the lift arm adjustment pin up and pull the handle out. Insert the new lift arm in the tube and replace and lift the spring screw to secure the lifting arm. Make sure the spring screw is clicking back into place. Apply Loctite 2701 or similar on the locking screw and screw it back on the bottom of the lift arm.

# Periodic inspection - protocol

Lift type:  
 s/n:  
 Version:  
 Prod. year:  
 Sling bar id.:

Contract no:  
 Name:  
 Address:  
  
 Situation of use:    Home            Institution            Other

**Comments: 1. Attention 2. Correct 3. Do not use!**

**Base:**

<input type="checkbox"/>	<input type="checkbox"/>	Check for visible damage
Check:		

A	<input type="checkbox"/>	Castor
B	<input type="checkbox"/>	Brakes
C	<input type="checkbox"/>	Screws

**Upper part:**

<input type="checkbox"/>	<input type="checkbox"/>	Inspect the mast
Check:		

D	<input type="checkbox"/>	Screws
E	<input type="checkbox"/>	Lift arm hardware etc
F	<input type="checkbox"/>	Lift arm adjustment pin
G	<input type="checkbox"/>	Slingbar and the function of the safety latches
H	<input type="checkbox"/>	Mast actuator
I	<input type="checkbox"/>	Battery and cable installations
J	<input type="checkbox"/>	Hand control
K	<input type="checkbox"/>	Emergency stop
L	<input type="checkbox"/>	Emergency lowering
M	<input type="checkbox"/>	Charging
N	<input type="checkbox"/>	Product label

**Test of safe working load:**

<input type="checkbox"/>	<input type="checkbox"/>	Safe working load test upper part
<input type="checkbox"/>	<input type="checkbox"/>	Safe working load test base
<input type="checkbox"/>	<input type="checkbox"/>	Mechanical emergency lowering

**Accessories:**

**Documentation:**

<input type="checkbox"/>	<input type="checkbox"/>	Instructions / manuals
--------------------------	--------------------------	------------------------

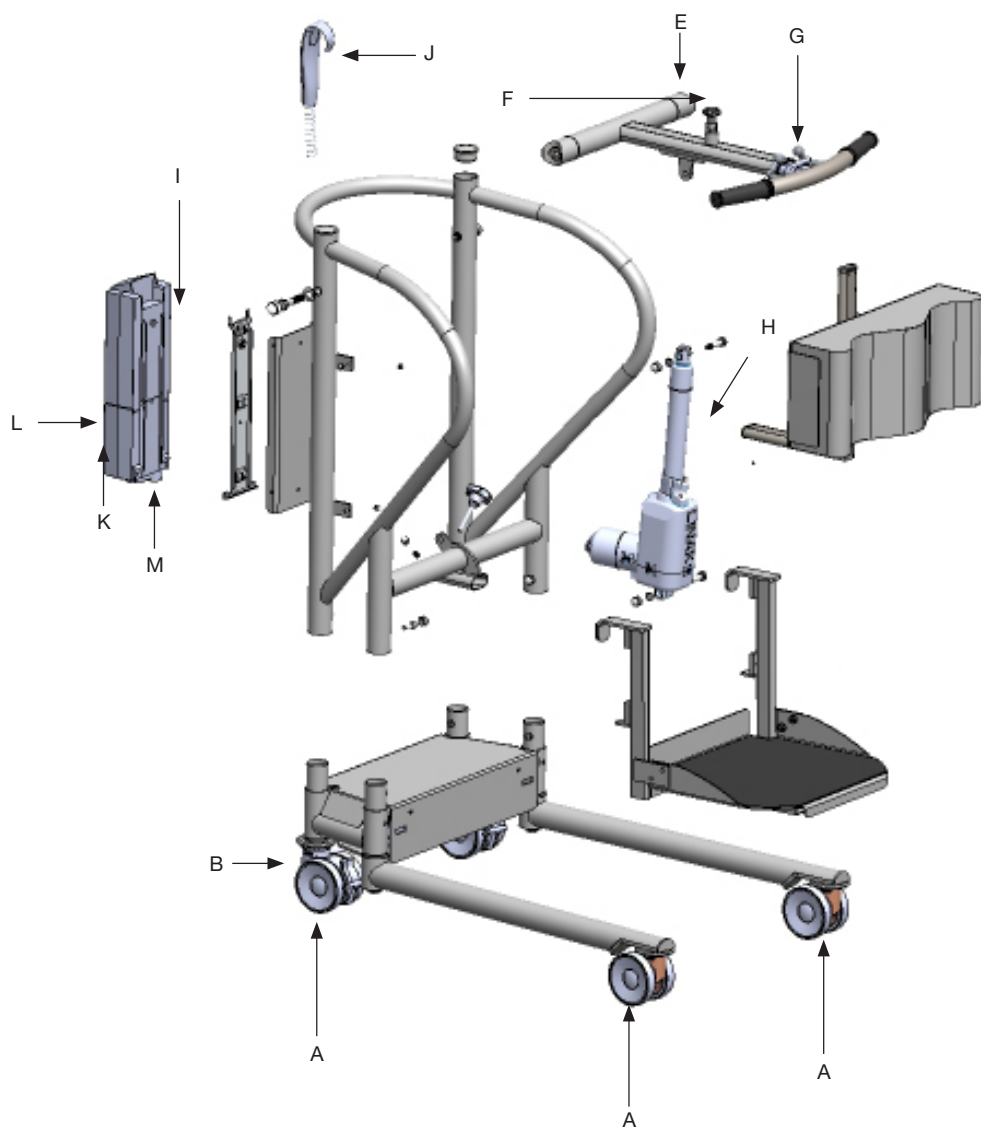
**Control box:**

<input type="checkbox"/>	<input type="checkbox"/>	Reset the control box service counter
--------------------------	--------------------------	---------------------------------------

Date:  
 Load test weight:

Serviced by:

## Description for periodic inspection



## Periodic inspection - instruction

### Base

- Check the base for visible damage to the surfaces, finish, etc.

### Castors

- Roll the lift unit unloaded on the floor, check that the castors roll and turn freely.
- Check that the castor fasteners are tight.
- Check that the lift runs straight. If Necessary, adjust the bumpers by loosening the screws slightly and turning the bumpers.

### Brakes

- Lock the brakes. Check that the castors do not turn when the lift unit is pushed.
- Run the base width adjustment and listen for peculiar noise or vibrations.

### Screws

- Check screws.

### Upper part

- Check the mast for visible damage to the surfaces, finish etc.
- Check screws, nuts, bolts etc.

### Footplate

- Check the footplate for visible damage to the surfaces, finish, etc. Make sure it is correctly assembled.

### Liftarm, hardware

- Check the liftarm for visible damage to the surfaces, finish etc.
- Check screws, nuts, bolts etc.

### Kneepad

- Check the kneepad for visible damage to the surfaces, finish, etc. Make sure it is correctly assembled.

### Slingbar and safety latch function

- Check to ensure that there is no visible wear or damage.
- Check the function of the safety latches.

### Mast actuator

- Verify that the upper and lower actuator fasteners to the mast are tight.
- Visual inspection.
- Check limit switch function by running the lift arm up/down.
- Check of abnormal noise level.
- Check safety spline on actuator by running it downwards and obstructing the movement by hand. The actuator should stop. It is necessary to run the lift slightly upwards before continuing the downward movement.

### Battery and cable installations

- Check battery and electrical cable.
- Verify that all cables are properly inserted.

### Hand control

- Verify that all functions on the hand control are working.



### Emergency stop

-Verify that the lift unit does not operate when emergency stop is pressed in.

### Electric emergency lowering

-Verify the function of emergency lowering. Use a narrow object such as a pen.

### Charging

-Verify that charging is operating. Yellow lamp on the controllbox should light up when charging.

### Product label

- Check the serial number so that the label is there and readable. Note the serial number on the protocol.

### Test loading

Test loading of MiniLift200 is done with 150 kg weight, which corresponds to a user weight of 200 kg.

#### *Test loading with loose weights*

NOTE! Both hooks must bear the weight. When one weight is used, the weight must be distributed over both hooks. Ensure that the weight pack is well clear of the actuator.

Weights must be attached to the hooks as shown in picture.

Remove the lower-leg support and footrest before test loading; this allows more space for the weight that is to be lifted.

NOTE! Replace the lower-leg support and footrest after test loading.

*Move the lift arm to the outermost position and apply 150 kg.*

- Run the actuator 160 mm up/down as shown in picture. The lift arm is loaded with 150 kg and placed in the outermost position.

Listen for unusual sounds during raising/lowering.

#### *Connector hooks*

- Lift 150 kg clear of the floor and wait for 20 sec.

NOTE! Load the hooks according to picture.

*The base is loaded with 200 kg.*

- Place 200 kg on the footrest, within the frame for foot placement. Run the base-width adjustment in/out and listen for unusual sounds.

### Mechanical emergency lowering

-Verify the function of emergency lowering. With the lift loaded, round plastic knob on the actuator clockwise.

### Documentation

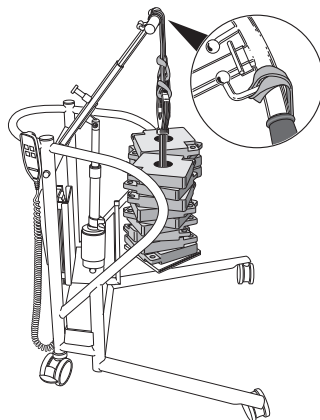
- Check that the manual is available and up-to-date.

### Accessories

-Check the accessories to the lift unit.

**To reset the service counters press both lift buttons on the hand control at the same time for 5 seconds.**

**An audio signal will indicate that the timer has been reset.**



# Maintenance

The lift must undergo thorough inspection at least once per year. Inspection must be performed by authorized personnel and in accordance with Direct Healthcare Group's service manual.

Repairs and maintenance may only be done by authorized personnel using original spare parts.



Used batteries are to be left at the nearest recycling station. Used batteries can also be returned to Direct Healthcare Group or a Direct Healthcare Group dealer for recycling.

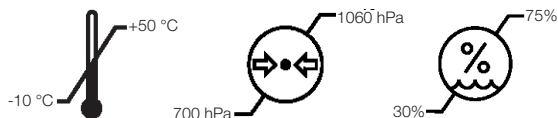
## Cleaning/disinfection

If necessary, clean the lift with warm water or a soap solution and check that the castors are free from dirt and hair. Do not use cleaning agents containing phenol or chlorine, as this could damage the aluminium and the plastic materials. If disinfection is needed, 70 % ethanol, 45 % isopropanol or similar should be used.

## Storage and transportation

If the lift is not to be used for some time or e.g., during transport, we recommend that the emergency stop button be pressed in. The hoist should be transported and stored in  $-10^{\circ}\text{C}$  to  $+50^{\circ}\text{C}$  and in normal humidity, 30% -75 %.









The air pressure should be between 700 and 1060 hPa. Let the hoist reach room temperature before the batteries are charged or the hoist is used.



## Service agreements

Direct Healthcare Group offers the possibility of service agreements for maintenance and regular testing of your mobile lift. Contact your local Direct Healthcare Group representative.

## Symbols

	Read user manual
	May not be discarded in domestic waste
	The product complies with the requirements of the Medical Devices Directive 93/42/EEC.
	Type B, according to the degree of protection against electric shock.
	The device is intended for indoor use.
	Class II equipment
	This product is tested and approved in regards to safety in the workplace according to the requirements of the US Occupational Safety & Health Administration. "US" stands for compliance with the requirements of US authorities, "C" for compliance with Canadian requirements.
	Always Read The User Manual

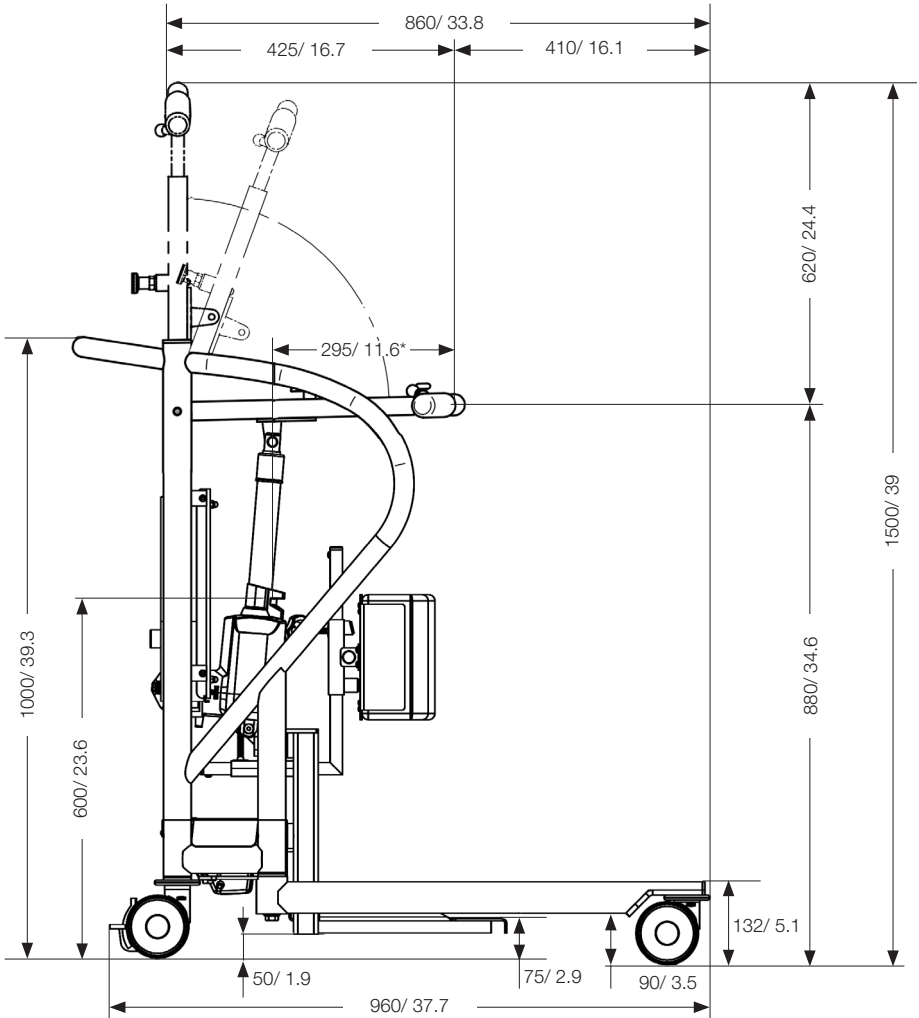
## Technical Information

<b>Lifting speed</b>	35 mm/s without load
<b>Batteries</b>	Two 12V, 2.9 Ah valve-regulated, sealed, lead accumulator (gel-type batteries)
<b>Charger</b>	Max. 400mA
<b>Motor (mast)</b>	DC 24 V, 10.5 Ah. Operating time: 10% maximum continuous operation for 2 minutes Push: 7500N
<b>Motor (base)</b>	DC 24 V, 12.3 Ah. Operating time: 10% maximum continuous operation for 2 minutes Push: 2000N
<b>Sound level</b>	55.8 dB(A)
<b>Material</b>	Steel
<b>Emergency lowering</b>	Manual and electrical
<b>Castors</b>	Front 3.9", 100 mm, back 3.9", 100 mm
<b>Weight</b>	49 kg/108 lbs
<b>IP class</b>	IP X4
<b>Expected lifetime</b>	10 years
<b>Operating forces buttons on hand control</b>	4 N
<b>Max. load</b>	200 kg/ 441 lbs

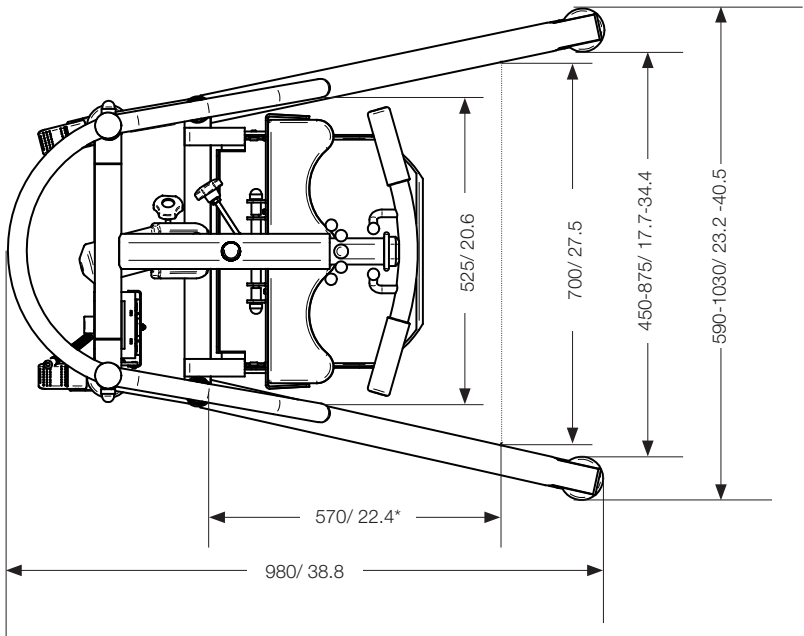
Medical Device Class I. The product complies with the requirements of the Medical Devices Directive 93/42/EEC.

# Dimensions

All measurement are in mm/inch  
Tolerance +/- 5 mm/ 0.2"



\* Maximum reach at 600 mm (referens height)



\* Reach from base with legs spread to 700 mm (referens)





## Simple solutions for great results

SystemRoMedic<sup>®</sup> is the name of Direct Healthcare Group's unique easy transfer concept, the market's widest and most comprehensive range of clever, easy-to-use and safe transfer and lifting aids designed to make life easier, both for the user and for the caregiver. SystemRoMedic<sup>®</sup> is a complete solution that provides for the majority of patient transfer or manual handling requirements. From the simplest to the most complex scenarios, from the lightest to the heaviest. The concept encompasses assistive devices for four different categories of transfers:

- Transfer, assistive devices for manual transfers of users between two locations.
- Positioning, assistive devices for manual repositioning of users within the same location.
- Support, assistive devices for mobility support e.g., during sit-to-stand or gait training.
- Lifting, assistive devices for manual and mechanical lifting of users.

## Improved work environment, improved quality of care and cost savings

The philosophy behind SystemRoMedic<sup>®</sup> is focused on the prevention and reduction of occupational injuries while allowing users to experience a greater sense of independence and dignity. Through a unique combination of training and a complete range of efficient transfer aids, SystemRoMedic<sup>®</sup> offers improvement of both work environment and quality of care and, at the same time, achieves significant cost savings.

## Always make sure that you have the correct version of the manual

The most recent version of all manuals are available for downloading at/from our website;  
[www.directhealthcaregroup.com](http://www.directhealthcaregroup.com)

## For questions about the product and its use

Please contact your local Direct Healthcare Group and SystemRoMedic<sup>®</sup> representative. A complete list of all our partners with their contact details can be found on our website; [www.directhealthcaregroup.com](http://www.directhealthcaregroup.com).