



REF

20101010

SWL: 180 kg / 400 lbs

Functional inspection

Visual inspection

Check the condition and function of the product regularly. Check to ensure that material is free from damage. If there are signs of wear, the product must be inspected and serviced.

Always read the manual

Always read the manuals for all assistive devices used during a transfer.

Keep the manual where it is accessible to users of the product.

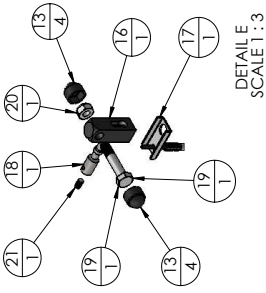
Do not leave the patient unattended during a transfer situation.

The product should be inspected yearly, and otherwise as required, by a qualified technician. Service must be performed by a qualified technician.

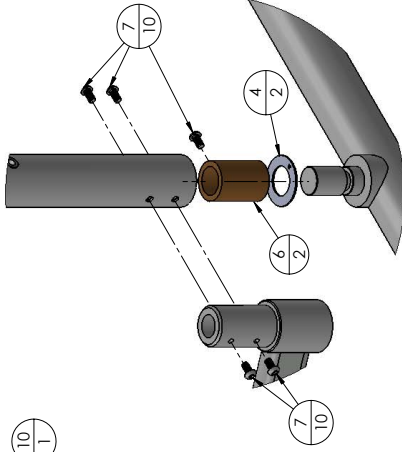
Table of contents

Exploded view	3
Component list	4
Spare part list	5-6
Detail descriptions for Periodic inspection	7
Periodic inspection, instruction	8-10
Change of spareparts	11-13
Care of the product	13
General	13
Dimensions	14
Technical information	15

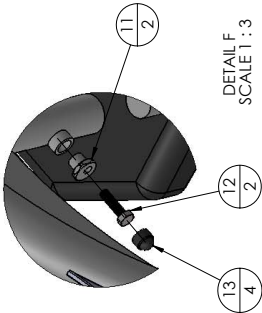
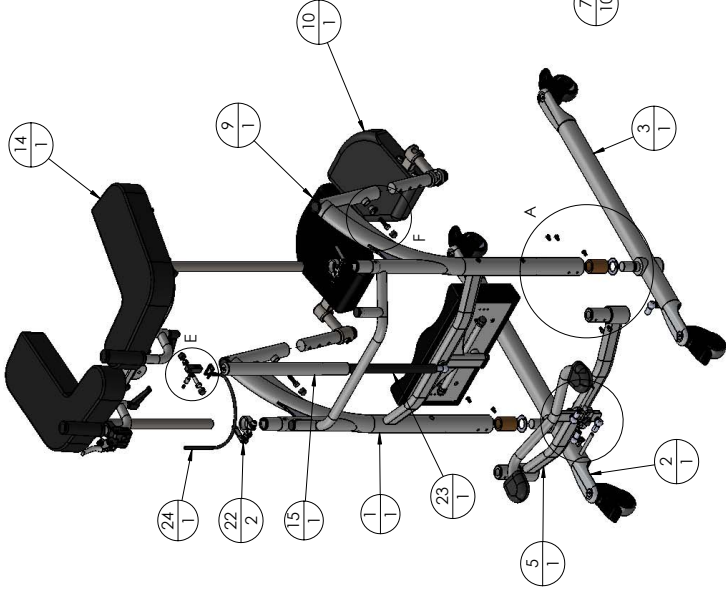
Exploded view



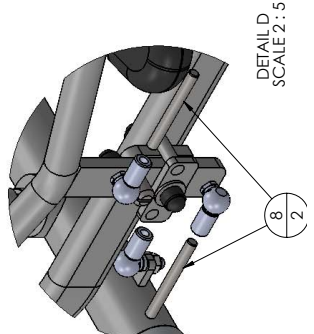
DETAIL E
SCALE 1 : 3



DETAIL A
SCALE 1 : 3



DETAIL F
SCALE 1 : 3










DETAIL D
SCALE 2 : 5

Component list

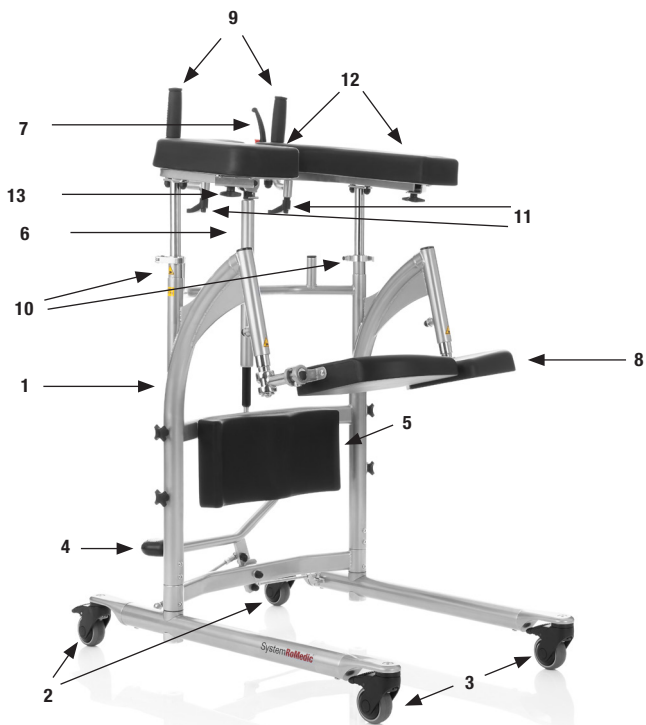
Number	Name	Size
1	Frame	
2	Front fork	
3	Leg Left	
4	Axial Plain bearing	26x44x1,5
5	Centre piece	
6	Bronze plain bearing	35x25x50
7	Screw	M6x12 Fzb
8	Threaded rod	M8 - DIN 975
9	Seat kit right	
10	Seat kit left	
11	Off-center adjuster	
12	Screw	M8x30/8.8 - DIN 931
13	Plastic nut cover	M8
14	Arm support	
15	Tube for gas spring	
16	Release head gas spring	
17	Plate holder	
18	Releasing pin	
19	Screw	M8x40/8.8 - DIN931
20	Locking nut	M8 - DIN985
21	Screw	M5x10/8.8 - DIN 914
22	Locking clamp	
23	Gas spring 205 615 (207N)	
24	Cable for gas spring	

Spare part list

Articleno	Product	Unit	Components	Parts
80100084	Seat kit left	1 set	1 x Seat left 2 x Screw	 80100084
80100085	Seat kit right	1 set	1 x Seat right 2 x Screw	 80100085
80200023	Castor with direction lock kit 80mm	1 set	2 x Castor 2 x Screw 2 x Locking nut	 80200023
80100073	Castor kit with brake 80mm	1 set	2 x Castor 2 x Screw 2 x Locking nut	 80100073
80200024	Knee pad	1 pce	1 x Knee pad holder	 80200024
80200025	Handles RW	1 set	2 x Handle 2 x Cover 2 x Locking handle 2 x Washer	 80200025
80200026	Gas spring RW	1 set	1 x Gas spring 1 x Locking nut 1 x Screw M8x40 1 x Plastic cover 1 x Pin to release the buffer 1 x Screw M5x10 1 x Release head 1 x Plate holder	 80200026

Articleno	Product	Unit	Components	Parts
80200022	Release head gas spring	1 set	1 x Locking nut 1 x Screw 2 x Plastic cover 1 x Releasing pin 1 x Socket set Screw cone point 1 x Release head 1 x Plate holder	 80200022
80200027	Cabel for gas spring RW	1 pce	1 x Cable	 80200027
80200028	Control for hight adjustment	1 pce	1 x Handle	 80200028
80200029	Arm support right	1 set	1 x Armsupport right 1 x Screw 1 x Plastic cover 1 x Washer (M10)	 80200029
80200030	Arm support Left	1 set	1 x Armsupport left 1 x Screw 1 x Plastic cover 1 x Washer (M10)	 80200030
80200031	Locking clamp	1 pair	2 x Locking clamp aluminum	 x 2
80200032	Star knob set for	1 set	2 x Star Knob 2 x Plate 2 x Holder rotation plate 6 x Screw	 x 2 80200032
80200033	Star knob set for oxygen tank holder	1 set	4 x Star knob	 80200032
80200034	Locking handle	1 set	2 x Locking handle 2 x Washer	 x 2 80200033 80200034

Detail descriptions for Periodic inspection



1. Frame	Page 8
2. Castors with brake	Page 8
3. Castors with direction lock	Page 8
4. Footpedal for leg spread adjustment	Page 8
5. Leg support	Page 9
6. Gas spring	Page 9
7. Control for height adjustment	Page 9
8. Seat support	Page 9
9. Handles	Page 10
10. Locking clamp	Page 10
11. Locking handle	Page 10
12. Arm support	Page 10
13. Star knob for arm support	Page 10

Periodic inspection, instruction

Frame



Check screws, nuts and bolts.

Check the frame for visible damage to the surfaces, finish, etc.

Castors with brake



Lock the brakes. Check that the castors do not turn when the RoWalker is pushed.

Castors with direction lock



Roll the RoWalker unloaded on the floor, check that the castors roll and turn freely. Check that the castor fasteners are tight and if necessary, remove dirt and hair from wheels.

Footpedal for leg spread adjustment



Check the footpedal for adjusting the leg spread in and out.

Leg support



Check the kneepad for visible damage to the surfaces, finish, etc. Make sure it is correctly assembled.

Control for height adjustment



Check that the control for height adjustment is activating the gas springs.

Gas spring



Check that the gas springs are moving smooth and soft.

Seat support



Check the seat supports for visible damage to the surfaces, finish, etc.
Check that both of them swings away and flip-ups easily.

Handles



Check the handles for visible damage to the surfaces, finish, etc. Make sure it is correctly assembled.

Locking clamp



Open the locking clamps on both sides and make sure that the height adjustment is moving smooth and soft.

Locking handle



Check that the handles can be adjusted.

Arm support / Star knob for arm support



Check the arm support for visible damage to the surfaces, finish, etc. Make sure it is correctly assembled.

Change of spareparts

Seat support



Disassemble and change the seat support by unlocking the two screws according to picture. Use the attached screws to assemble the new seat support and please note that there is a left and right seat support.



Castors



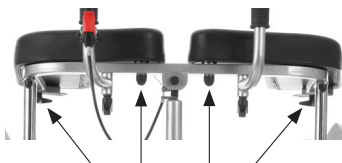
Disassemble and change the castors by unlocking the underneath mounted screw according to picture. Use the attached screw to assemble the new castor and ensure correct tightening.

Handles



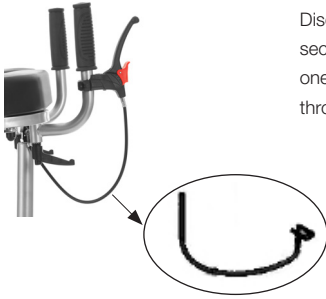
Disassemble and change the handles by unlocking the underneath mounted locking handles according to picture.

Arm support / Star knob for arm support



Disassemble and change the arm support by unlocking the star knob and screws according to picture.

Gas spring cable set for gas spring



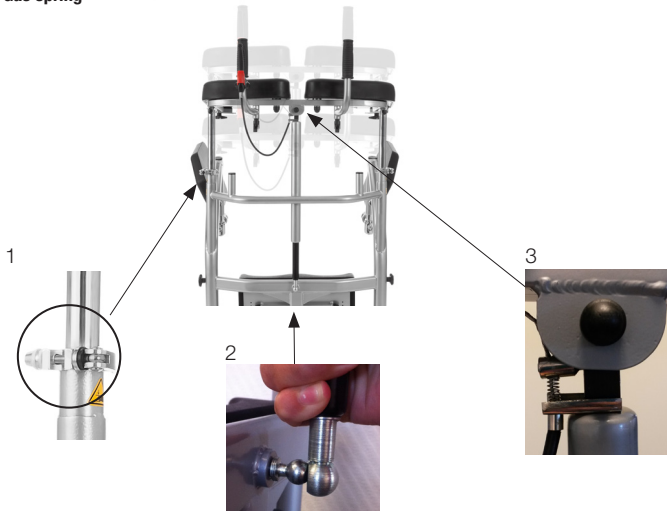
Disconnect the cable set by first loosen the adjustment screw on the cable and secondly unhook the cable from the bracket. Attach the new cable set to the old one, while still mounted in the frame, and change the old cable by pulling the cable through the frame. Ensure correct mounting and adjustment by function control.

Control for height adjustment



Disconnect the cable set.
Disassemble and change control for height adjustment by unlocking the two screws.

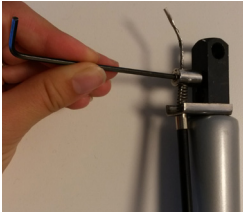
Gas spring



Ensure that the arm supports are raised to the maximum height, that the gas spring is fully extended and that the locking clamps (1) are locked before removing the gas spring.

Lower mount (2): Release the pin, and then remove the gas spring from the ball joint.

Upper mount (3): Remove the screw cover and unscrew the gas spring.



Use an Allen key to release the adjustment cable from the gas spring release head.



The gas spring release head is removed and the gas spring can then be removed from the gas spring tube and replaced.

Replace the gas spring release head, secure the lower mount to the gas spring and, finally, reinstall the gas spring assembly on the RoWalker.

Care of the product:

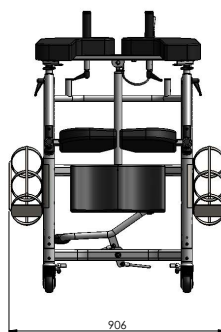
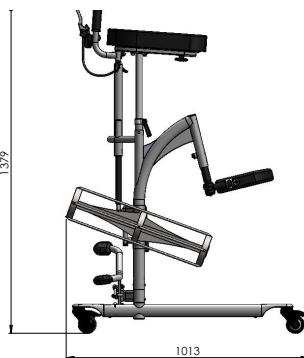
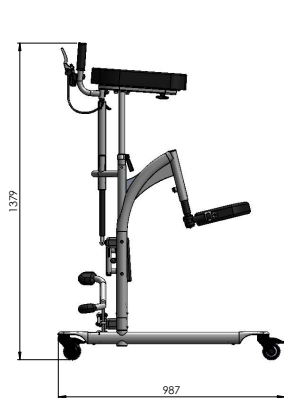
- Use a soft cloth and mild cleaning agent such as dishwashing liquid or car shampoo to clean the RoWalker. Do not use abrasive cloths or brushes.
- Do not use solvents.
- To disinfect, use 70% alcohol.

General

Before the product is used, check to ensure that the screws are securely tightened. The product must be inspected regularly by an authorized technician. The product must be inspected thoroughly at least once each year, or more regularly if it is used very frequently. Inspection and service must be performed by an authorized technician.

Dimensions

(mm)



Technical information

Seat width:	480 mm	18.8"
Seat depth:	265 mm	10.4"
Castor Ø	Ø80 mm	Ø3"
Weight:	37,5 kg	82,67 lbs
Weight incl. OxygenTankHolder:	43,5 kg	95.9 lbs
SWL:	180 kg	400 lbs

Simple solutions for great results

SystemRoMedic™ is the name of Direct Healthcare Group's unique easy transfer concept, the market's widest and most comprehensive range of clever, easy-to-use and safe transfer and lifting aids designed to make life easier, both for the user and for the caregiver. SystemRoMedic™ is a complete solution that provides for the majority of patient transfer or manual handling requirements. From the simplest to the most complex scenarios, from the lightest to the heaviest. The concept encompasses assistive devices for four different categories of transfers:

- Transfer, assistive devices for manual transfers of users between two locations.
- Positioning, assistive devices for manual repositioning of users within the same location.
- Support, assistive devices for mobility support e.g., during sit-to-stand or gait training.
- Lifting, assistive devices for manual and mechanical lifting of users.

Improved work environment, improved quality of care and cost savings

The philosophy behind SystemRoMedic™ is focused on the prevention and reduction of occupational injuries while allowing users to experience a greater sense of independence and dignity. Through a unique combination of training and a complete range of efficient transfer aids, SystemRoMedic™ offers improvement of both work environment and quality of care and, at the same time, achieves significant cost savings.

Always make sure that you have the correct version of the manual

The most recent version of all manuals are available for downloading at/from our website;
www.directhealthcaregroup.com

For questions about the product and its use

Please contact your local Direct Healthcare Group and SystemRoMedic™ representative. A complete list of all our partners with their contact details can be found on our website; www.directhealthcaregroup.com.

Direct Healthcare Group

Advancing Movement & Health

Direct Healthcare Group Sverige AB
Torshamnsgatan 35,
SE-164 40 Kista, Sweden

Tel: +46 (0)8-557 62 200
info@directhealthcaregroup.com
www.directhealthcaregroup.com