

1. Rail (not included)
2. Corner piece
3. Bolts with nuts for mounting
4. Lift unit (not included)
5. Upright
6. Carrier handle for uprights
7. Locking handle for uprights
8. Foot

Maxload: 300 kg/661 lbs

Castor is a freestanding lift stand, which together with a rail and a lift unit, functions as a stationary patient lift. It is ideal for occasional lifting needs in a specific location, or where it is not possible to install a permanent rail system on the ceiling. Castor is made of aluminium, which makes it light in relation to its large lifting capacity.

Handicare's SystemRoMedic product series includes a range of lifts, slings and other accessories. SystemRoMedic adopts a holistic approach to patient transfers and is organized in four categories: transfer, positioning, support and lifting.



Functional inspection

Visual inspection

Inspect Castor and lift unit functions regularly. Check to ensure that material is free from damage.

Before use:

Check to ensure that the lift stand and lift unit are correctly assembled.
Check all mounts and safety latches.



Always read the manual

Always read the manuals for all assistive devices used during a transfer.
Keep the manual where it is accessible to users of the product.

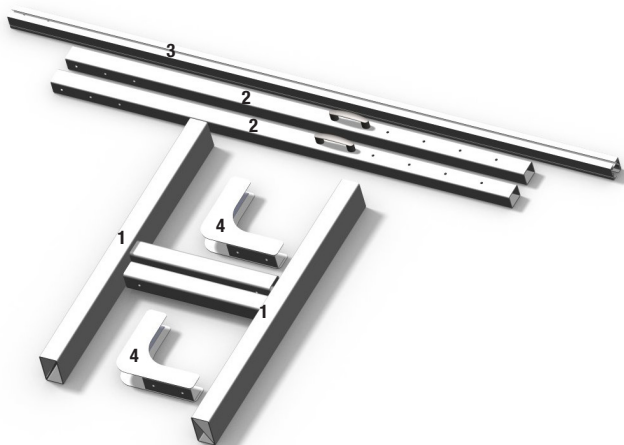
The lift may only be used by persons who have received instruction in the operation of the lift.

Table of contents

Assembly	3-5
Component parts	3
Assembly of uprights	3
Mounting overhead rail and lift unit	4
Final inspection	5
How to use the product	5
Important information	5
Safe working load	5
Accessories	6
Maintenance	7
Technical information	8
Dimensions	8

Assembly

Component parts:



1. Two supporting feet

2. Two uprights with carrier handles

3. Rail (not included, ordered separately)

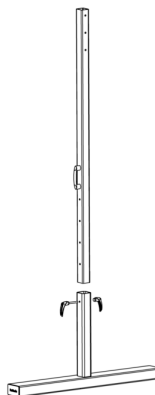
4. Two corner pieces

Eight bolts with nuts for mounting uprights and rail

Assembly of uprights

1. Insert each upright in its foot and adjust to the desired height.

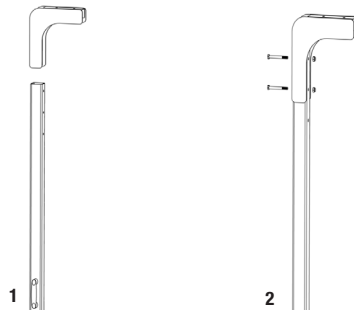
2. Use the locking handles to secure the uprights at the desired height.



Mounting overhead rail and lift unit

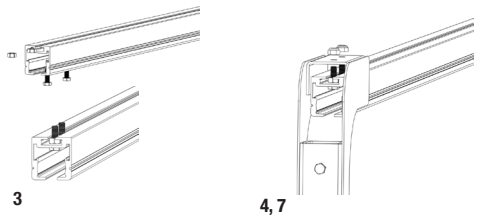
1, 2. Insert the upright in the corner piece and secure with two bolts.

Do the same with the other upright and corner piece.



3. Mount the bolts on the rail, on both sides.

4. Insert the rail in one of the corner pieces and tighten.



NOTE! Remember to mount the lift unit/carriage before mounting the other upright.

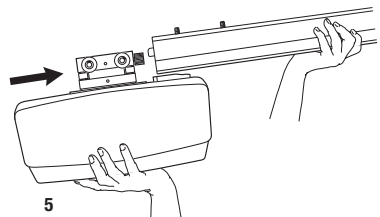
5. Mount the lift unit according to one of the following alternatives:

1. Lift unit with built-in carriage:

The lift unit is mounted on the rail (see image) before the other end of the rail is secured to the corner piece.

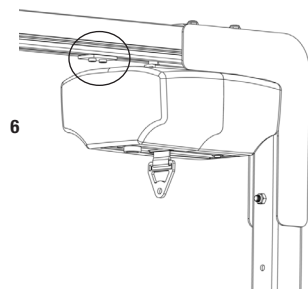
2. Portable lift unit with separate carriage:

Mount the carriage on the rail before the other end of the rail is secured to the corner piece. When the entire lift stand is assembled, the portable lift unit can be installed.



For operating instructions, see the manual for the respective lift unit.

6. To prevent the lift unit from travelling along the rail during assembly of the second upright, the lift unit must be anchored to the first upright. We recommend the use of an end stop for anchoring the lift unit. After assembly, this can be moved to the other end of the rail and left in place.



7. Secure the other end of the rail to the other corner piece, as in image 4, 7.

Final inspection

Inspect Castor for signs of wear and damage. Ensure that Castor stands stable on the floor, so that it does not tilt, and check that the uprights are adjusted to the same height.

Check to ensure that all locking handles and bolts are securely tightened.

Test lift function by lifting a person (not a patient) using an approved sling.

Keep the instruction manual where it is accessible to users of the product.

How to use the product



Important information

- Castor must be assembled according to the assembly instructions provided with the stand.
- Castor may only be used indoors and on a level floor.
- Lifting accessories must be properly trial fitted and tested in relation to the patient's needs and functional ability.
- Do not leave the patient unattended during a transfer situation.
- Under no circumstances may max. load be exceeded. See section on safe working load.
- To ensure optimal function, Castor must be inspected regularly. See section on maintenance.
- Warranty applies only if repairs or alterations are done by an authorized technician.

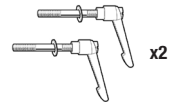
Safe working load

Different products on the same lift system (lift unit, slingbar, sling, scales and other lifting accessories) may have different allowable safe working loads. The lowest allowable safe working load always determines the maximum load of the assembled system. Always check the safe working loads for the lift and accessories before use. Contact your dealer if you have any questions.

Accessories

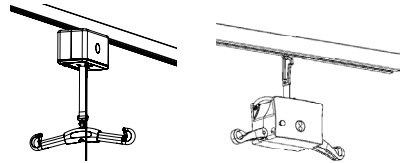
Locking handle

For easier assembly of the rail, the bolts can be replaced with four locking handles.



Lift units

SystemRoMedic's lift units are available in different models and versions, stationary or portable. The choice of model is determined by the required lifting capacity, the location and situations in which the lift is to be used, and the patient's individual needs.



Slings

SystemRoMedic slings are available in different fabrics and models. The choice of model and material is determined by the patient's functional capacity and the situations in which the product is to be used.

For further information on slings and other lifting accessories, see SystemRoMedic's manuals and brochures.



Positioning aids

TopSheet

SafeHandlingSheet

RoMedicClips.



TopSheet



SafeHandlingSheet

Articlenumbers for a complete lift stand

Castor, lift stand: **50300004**

Rail-64, aluminum, white: **50400262 - 50400266**

Rail-120, aluminum, white: **50400277 - 50400290**

Rail-160, aluminum, white: **50400295 - 50400299**



RoMedicClips

Maintenance

The lift must undergo thorough inspection at least once per year. This must be done by authorized RoMedic service personnel and in accordance with the periodic inspection for Castor..

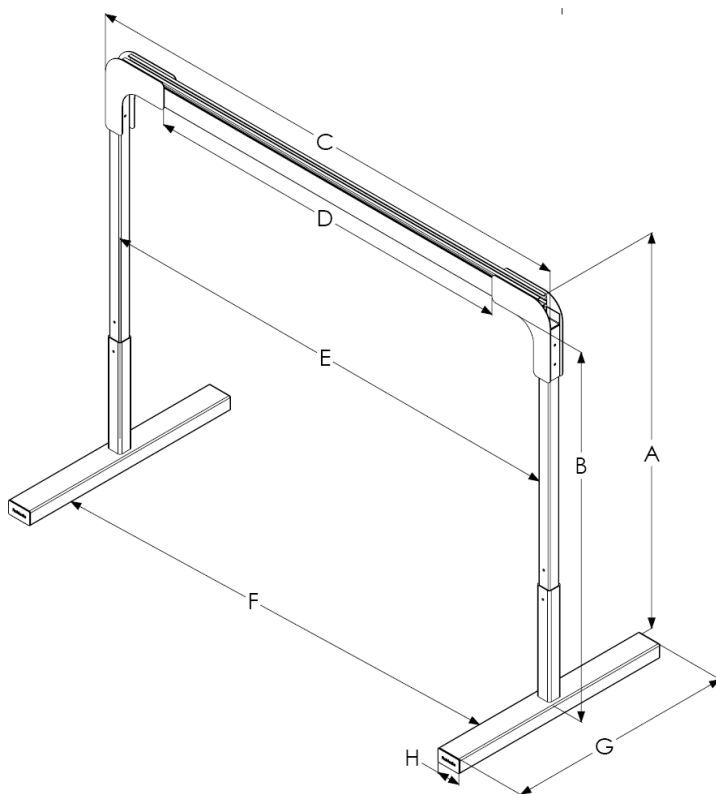
Repairs and maintenance may only be done by authorized personnel using original spare parts.

Cleaning

When necessary, clean the lift using warm water or rubbing alcohol. Do not use cleaning agents containing phenol or chlorine, as this may damage the material.

Technical information

Dimensions



	A	B
A	200-244	78,8-96,14
B	192-227	75,65-89,44
C	200-500	78,8-197
D	223-523	87,86-206,06
E	209-509	82,35-200,55
F	204-504	80,38-198,58
G	120	47,3
H	13	5,1
I	49,6-86,4	109,3-190,4
J	31	68,6

Note: Column A measurement is in cm and weight is in kg.
 Column B measurement is in inches and weight is in lbs.
 I is total weight of stand
 J is the weight of the heaviest component

Simple solutions for great results

SystemRoMedic™ is the name of Handicare's unique easy transfer concept, the market's widest and most comprehensive range of clever, easy-to-use and safe transfer and lifting aids designed to make life easier, both for the user and for the caregiver. SystemRoMedic™ is a complete solution that provides for the majority of patient transfer or manual handling requirements. From the simplest to the most complex scenarios, from the lightest to the heaviest. The concept encompasses assistive devices for four different categories of transfers:

- Transfer, assistive devices for manual transfers of users between two locations.
- Positioning, assistive devices for manual repositioning of users within the same location.
- Support, assistive devices for mobility support e.g., during sit-to-stand or gait training.
- Lifting, assistive devices for manual and mechanical lifting of users.

Improved work environment, improved quality of care and cost savings

The philosophy behind SystemRoMedic™ is focused on the prevention and reduction of occupational injuries while allowing users to experience a greater sense of independence and dignity. Through a unique combination of training and a complete range of efficient transfer aids, SystemRoMedic™ offers improvement of both work environment and quality of care and, at the same time, achieves significant cost savings.

Always make sure that you have the correct version of the manual

The most recent version of all manuals are available for downloading from our website; www.handicare.com.

For questions about the product and its use

Please contact your local Handicare and SystemRoMedic™ representative. A complete list of all our partners with their contact details can be found on our website; www.handicare.com.

Handicare offers solutions and support to increase the independence of disabled or elderly people as well as to improve the convenience of those who are caring for them.

The Handicare Group is one of the leading healthcare companies in Europe with its own manufacturing organizations and sales companies in Norway, Sweden, Denmark, Germany, the Netherlands, Great Britain, France, China, Canada and the USA. Handicare's products are also distributed by partners in more than 40 countries worldwide. Our wide range of high-quality products includes a complete easy transfer system and other patient handling aids, stairlifts, car adaptations and bathing and toileting products.



Handicare AB
Torshamnsgatan 35
SE-164 40 Kista, SWEDEN
Tel: +46 (0)8-557 62 200
Fax: +46 (0)8-557 62 299
E-mail: info@handicare.se
www.handicare.com