

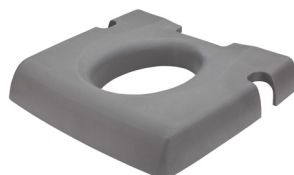
# Soft Toilet seat/Transportation seat, Coral



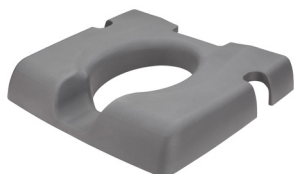
3002920400



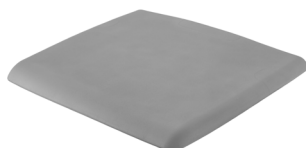
3002920401



3002920402



3002920403



3002920500



3002920501

**Art.no.:**

3002920400

3002920401

3002920402

3002920403

3002920500

3002920501

**EN Visual inspection**

Inspect the product regularly. Check to ensure that material is free from damage.

**SE Visuell inspektion**

Gör regelbundna funktionskontroller av produkten. Kontrollera att materialet är helt fritt från skador.

**NO Visuell inspeksjon**

Gjør regelmessige funksjonskontroller av produktet. Kontroller at materialet er helt og uten skader.

**DK Visual inspektion**

Foretag regelmæssige funktionskontroller af sengebordet. Kontroller, at materiale er helt og ikke udviser tegn på beskadigelse.

**FI Silmämääräinen tarkastus**

Tarkasta tuotteen toimivuus säännöllisesti. Tarkasta, ettei materiaalissa ole mitään vaurioita.

**DE Sichtprüfung**

Unterziehen Sie das Hilfsmittel regelmäßigen Funktionskontrollen. Vergewissern Sie sich, daß das Material unbeschädigt ist.

**NL Visuele controle**

Inspecteer het product regelmatig. Controleer op mogelijke beschadigingen van het materiaal.

**FR Inspection visuelle**

Effectuer des inspections régulières du fonctionnement du produit. Vérifier que le matériau est entièrement exempt de dommages.

**IT Ispezione visiva**

Testare il funzionamento del prodotto regolarmente. Verificare che il materiale non sia danneggiato.

**ES Inspección visual**

Realice periódicamente un control de funcionamiento del producto. Asegúrese de que el material no presente ningún tipo de desperfecto.

**EN Before use**

Ensure that the product is correctly assembled/mounted/installed.

**SE Före användning**

Kontrollera att produkten är rätt monterad/installerad.

**NO Før bruk**

Kontroller at produktet er korrekt installert.

**DK Før brug**

Kontroller, at produktet er korrekt installeret.

**FI Ennen käyttöä**

Tarkasta, että tuote on asennettu oikein.

**DE Vor der Benutzung**

Prüfen Sie das Produkt auf korrekte Montage.

**NL Voor gebruik**

Zorg ervoor dat het product juist is gemonteerd.

**FR Avant l'utilisation**

Vérifier que le produit est correctement installé.

**IT Prima dell'uso**

Verificare che il prodotto sia installato correttamente.

**ES Antes de su uso**

Compruebe que el producto esté correctamente instalado.

**EN Always read the manual**

Always read the manual.

Keep the manual where it is easily accessible for users of the product.

**SE Läs alltid manualen**

Läs alltid manualen.

Förvara manualen tillgänglig för användare av produkten.

**NO Les alltid manualen**

Les alltid manualen.

Oppbevar manualen tilgjengelig for brukere av produktet.

**DK Læs altid manualen**

Læs altid manualen.

Opbevar manualen tilgængelig for brugere af produktet.

**FI Lue aina käyttöohje**

Lue aina käyttöohje.

Säilytä käyttöohje tuotteen käyttäjien saatavilla.

**DE Lesen Sie stets die gebrauchsanweisung**

Lesen Sie stets die gebrauchsanweisung.

Verwahren Sie die Anleitung so, dass sie der Anwender des Produktes rasch zur Hand hat.

**NL Lees altijd de handleiding**

Lees altijd de handleiding.

Bewaar de handleiding zo dat deze voor gebruikers van het product altijd beschikbaar is.

**FR Toujours lire le manuel**

Toujours lire le manuel.

Conserver le manuel pour qu'il soit accessible aux utilisateurs du produit.

**IT Leggere sempre il manuale**

Leggere sempre il manuale.

Tenere il manuale delle istruzioni in un luogo facilmente accessibile agli operatori che utilizzano il prodotto.

**ES Lea siempre el manual**

Lea siempre el manual.

Guarde el manual en un lugar accesible para el usuario del producto.

# Soft Toilet seat/Transportation seat, Coral

English

The toilet seat of a Coral commode/shower stool or chair can be fitted with an extra soft and comfortable toilet seat which is available as an accessory.

For convenient transportation, and for covering of the commode opening during the night or during use in a livingroom or bedroom, the toilet seat of a Coral commode/shower stool or chair can be fitted with a practical transportation seat, which is also available as an accessory.

## Assembly

---



## Material

Polyurethane

## Care of the product

To be wiped clean after use. Use domestic cleaning materials without abrasive or corrosive properties. Solvents and chlorine should not be applied. The product can be detached for cleaning by lifting it off the chair/stool. Polyurethane can tolerate temperatures up to 85 degrees / 3 minutes.

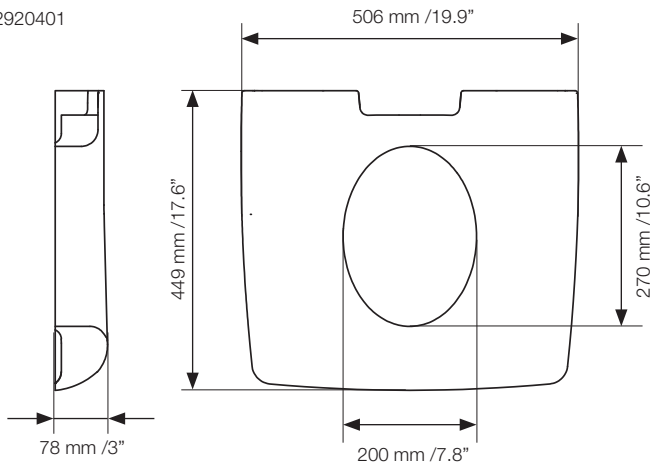
**CE** Medical Device Class I

The product meets the requirements of the Medical Devices Directive 93/42/EEC.

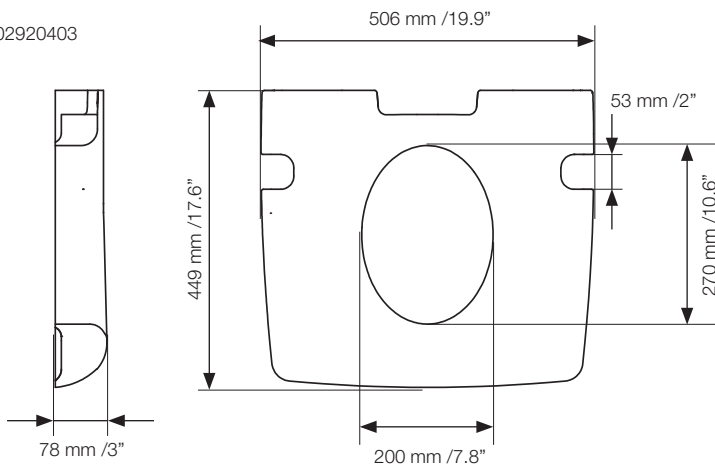
Contact your local distributor if you have any questions about the product and its use. See [www.handicare.com](http://www.handicare.com) for a complete list of distributors. Always make sure that you have the right version of the user manual. The most recent editions of manuals are available for downloading from our website, [www.handicare.com](http://www.handicare.com).

## Technical information

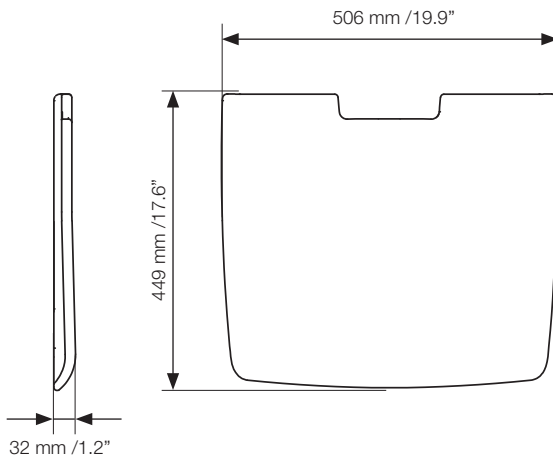
3002920400, 3002920401



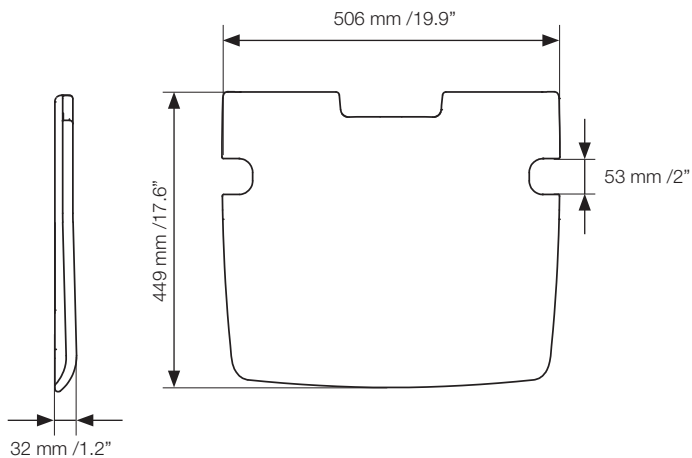
3002920402, 3002920403



3002920500



3002920501







## **Always make sure that you have the correct version of the manual**

The most recent version of all manuals are available for downloading at/from our website; [www.handicare.com](http://www.handicare.com).

## **For questions about the product and its use**

Please contact your local Handicare representative. A complete list of all our partners with their contact details can be found on our website; [www.handicare.com](http://www.handicare.com).

### ***Handicare offers solutions and support to increase the independence of disabled or elderly people as well as to improve the convenience of those who are caring for them.***

*The Handicare Group is one of the leading healthcare companies in Europe with its own manufacturing organizations and sales companies in Norway, Sweden, Denmark, Germany, the Netherlands, Great Britain, France, China, Canada and the USA. Handicare's products are also distributed by partners in more than 40 countries worldwide. Our wide range of high-quality products includes various manual and power wheelchairs, seating systems, scooters, a complete easy transfer system and other patient handling aids, stairlifts, car adaptations, rise and recline chairs, and bathing and toileting products.*



Handicare AB  
Maskinvägen 17  
SE-972 54 Luleå, SWEDEN  
Tel: +46 (0)8-557 62 200  
Fax: +46 (0)8-557 62 299  
E-mail: [info@handicare.se](mailto:info@handicare.se)  
[www.handicare.com](http://www.handicare.com)