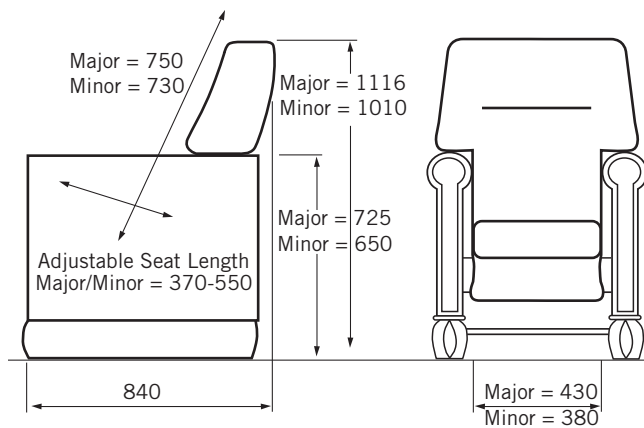


REGENT



Dimensions in mm

SEAT HEIGHT & ANGLE OPTIONS

One Option Per Chair

Chairs with reclining backs can only have

75° seat angle seat module

Seat Angle	Minor	Major
	Seat Height	Seat Height
70°	480mm	565mm
75°	425mm	525mm
80°	380mm	480mm
87°	340mm	425mm

General Use

- Care home environments
- Dayroom and bedside use
- Domestic home use
- For the ambulant elderly
- For those seated for long periods

Features and Benefits

- Two sizes: Major and Minor
- Four design styles
- Modular configuration
- Adjustable seat length and angle
- Innovative pressure relieving Reflexion™ foam on backrest and arms of chair
- Reclining back version available

Pressure Relieving Seat Options (integral)

- Intelli-Gel® Integral seat module
- Transflo Gel seat module
- Reflexion™ Foam seat module

Accessories

- Sliding footrest
- Push handles
- Fleecy liner
- Laminated tray with straps
- Loose covers for armrests and seat
- Weighted Universal headrest
- Lap-Belt
- Pelvic Positioners

Weight Limit

- 102kg/16 stone



Contact Us

Call Freephone 0800 212709 (UK only) and speak to our friendly Customer Service Team. E: info@kirtonhealthcare.co.uk

About Us

The Kirton Healthcare Group
23 Rookwood Way, Haverhill, Suffolk, CB9 8PB

T: 01440 705352 F: 01440 706199

E: info@kirtonhealthcare.co.uk
www.kirton-healthcare.co.uk

[@Kirton_Seating](https://twitter.com/Kirton_Seating)